

Parts Manual



SAWING PRODUCTS

400A

Serial No: 595-10101 to

Band Sawing Machine

MACHINE SPECIFICATIONS

MODEL SERIAL NO.

VOLTAGE CYCLE PHASE

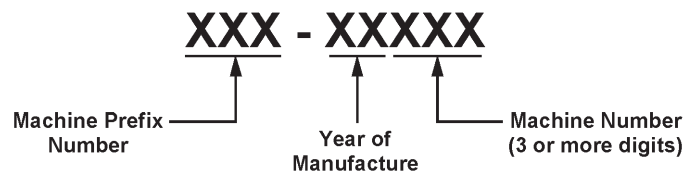
For your information and future reference, insert pertinent data concerning your machine in the spaces provided above. This information is printed on a label or stamped on a plate attached to the machine frame.

Always specify model and serial numbers on all parts orders and correspondence concerning your machine. This will help avoid unnecessary delays and inconvenience during processing.

The specifications contained herein were in effect at the time this manual was approved for printing. The DoALL Company, whose policy is one of continuous product improvement, reserves the right to change specifications or design at any time without notice and without incurring obligations.

How to read your serial number:

Example: 500-001234



For Sales, Parts and Service, call 1-888-362-5572.



DoALL SAWING PRODUCTS
2375B TOUHY AVENUE
ELK GROVE, ILLINOIS 60007 U.S.A.

YOUR SERVICE REPRESENTATIVE:

PARTS MANUAL INDEX

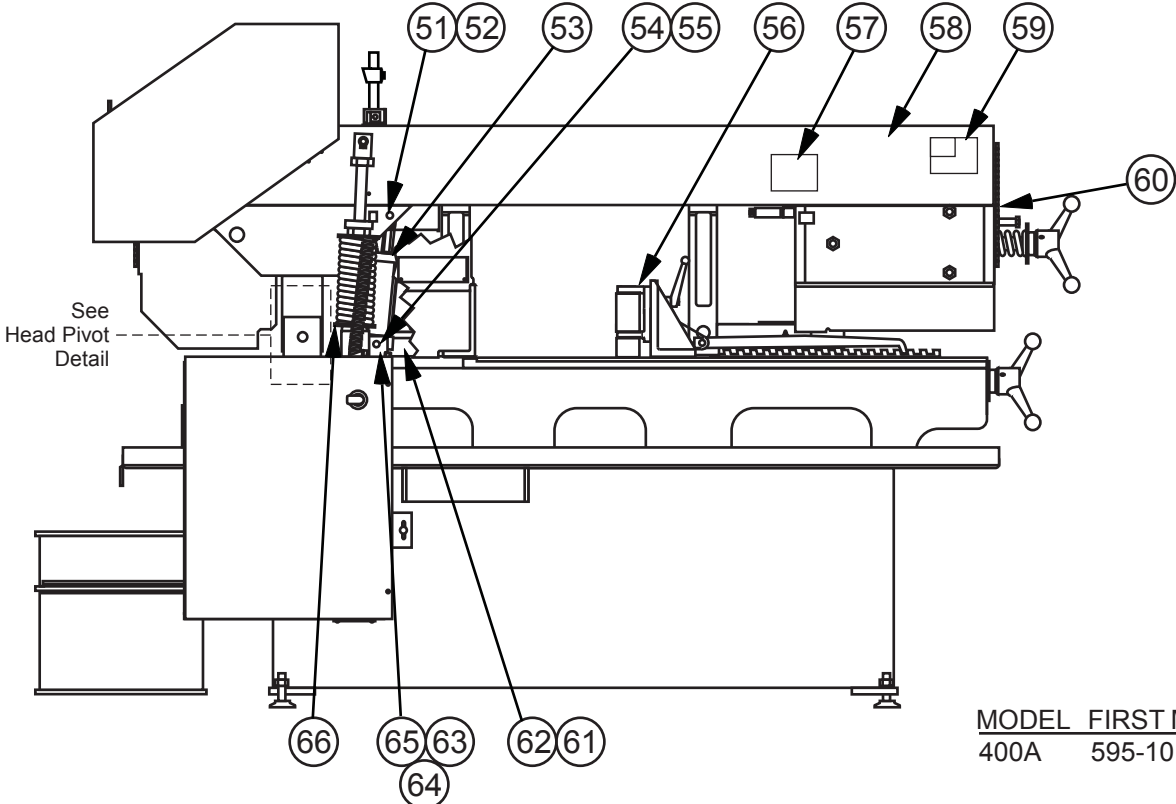
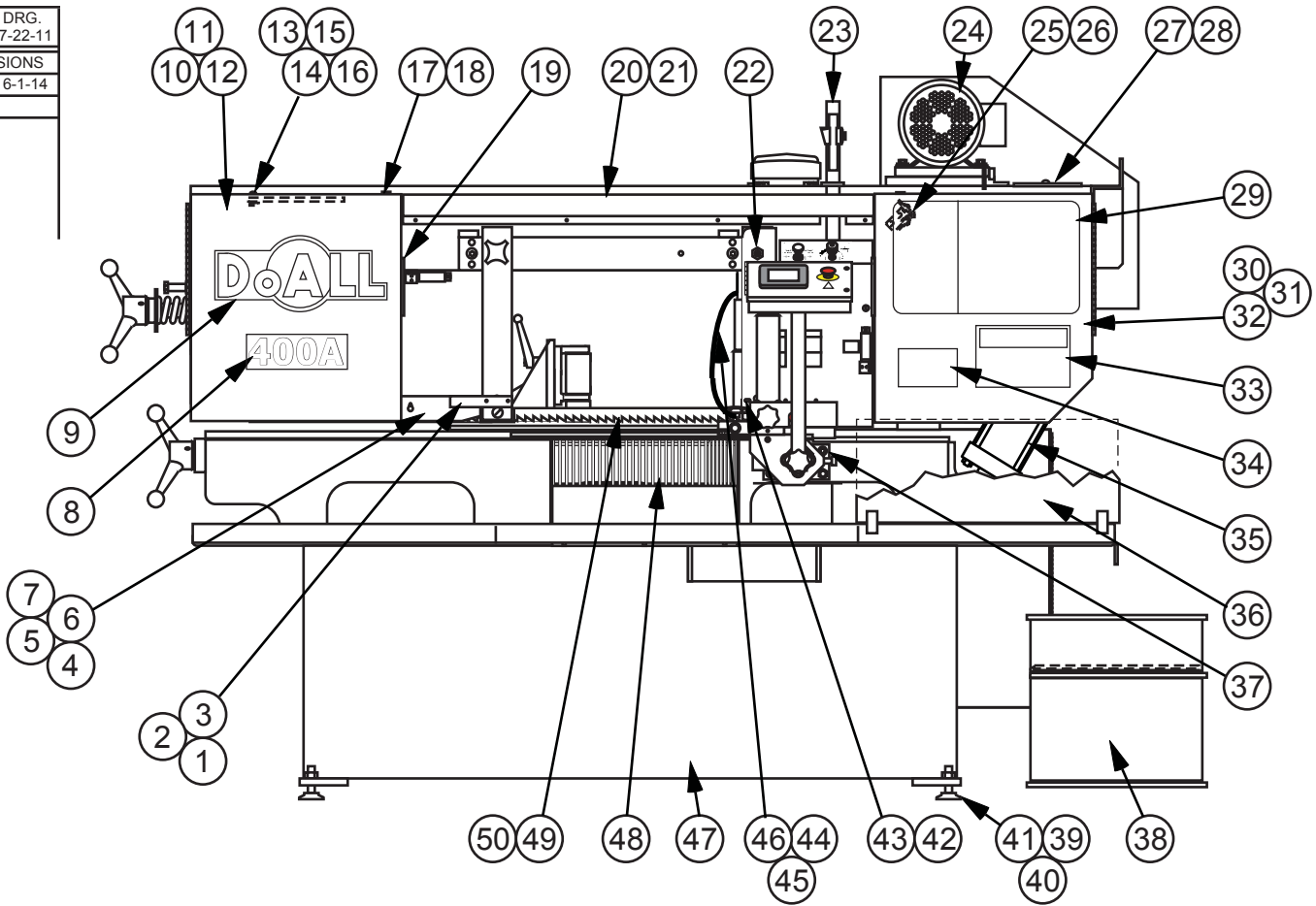
6/14

FICHE NO. E-142 MODEL 400A SERIAL NO. 595-10101 to _____

PAGE NO.	DESCRIPTION	FIRST SERIAL	LAST SERIAL	PAGES
PS-1-161	Final Assembly	All		2 - 3
PS-5-88	Adjusting Screw Assembly (Saw Guides)	All		40 - 41
PS-8-353	*Band Broken Switch Option	All		14 - 15
PS-2-171	Band Brush Assembly	All		4 - 5
PS-2-170	Band Tension Handwheel Assembly	All		24 - 25
PS-2-170	Bandwheel Assemblies	All		24 - 25
PS-1-162	Band Wiper Assembly	All		30 - 31
PS-7-408	Control Panel (Pneumatic)	All		34 - 35
PS-10-136	*Conveyor Assemblies (5' and 10')	All		6 - 7
PS-2-172	Counterbalance Spring Assembly	All		8 - 9
PS-1-161	Discharge Chute	All		2 - 3
PS-1-161	Door Latches	All		2 - 3
PS-4-130	Drive Assembly	All		10 - 11
PS-3-290	Drive Roller Vise Jaw Assembly	All		12 - 13
PS-8-353	Electrical Assembly	595-10101	to 595-13125	14 - 15
PS-8-379	Electrical Assembly	595-13126	to	16 - 17
PS-8-366	Electrical Control Box Assembly	All		18 - 19
PS-6-78	Flood Coolant Assembly (Includes Flushing Hose)	All		20 - 21
PS-6-80	*Flood Coolant Assembly (Europa Only)	All		22 - 23
PS-2-170	Head Assembly	All		24 - 25
PS-7-388	Head Feed Control Assembly	All		26 - 27
PS-7-389	Head Feed Cylinder Assembly	All		28 - 29
PS-1-162	Head Pivot Detail	All		30 - 31
PS-7-388	Hydraulic Controls	All		26 - 27
PS-1-161	Job Selector	All		2 - 3
PS-1-162	*Laser Line Generator Assembly	All		30 - 31
PS-1-162	Miscellaneous Details	All		30 - 31
PS-6-79	*Mist Lubricator Assembly	All		32 - 33
PS-3-289	Movable Roller Vise Jaw Assembly	All		42 - 43
PS-7-408	Pneumatic Details	All		34 - 35
PS-7-393	Pneumatic Head Lift Assembly	All		36 - 37
PS-7-407	*Pneumatic Vise Assembly	All		38 - 39
PS-5-88	Saw Guide Arm Assembly	All		40 - 41
PS-10-136	*Vertical Guide Roller Assembly (Conveyor)	All		6 - 7
PS-3-289	Vise Detail	All		42 - 43
PS-3-289	Vise Clamp Handwheel Assembly	All		42 - 43
PS-2-185	Work Height Assembly	All		44 - 45
PS-8-353	*Worklight	595-10101	to 595-13125	14 - 15
PS-8-379	*Worklight	595-13126	to	16 - 17
PS-3-295	Workstop Assembly	All		46 - 47

*Denotes Attachment or Optional Equipment.

NEW DRG.
S.C.L. 7-22-11
REVISIONS
S.C.L. 6-1-14



MODEL FIRST MACH. LAST MACH.
400A 595-10101

FINAL ASSEMBLY

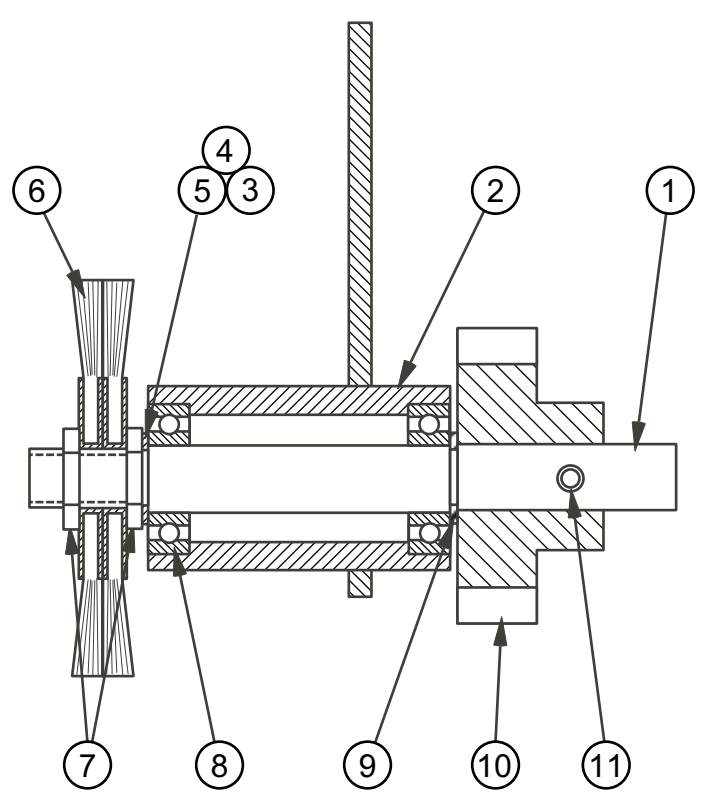
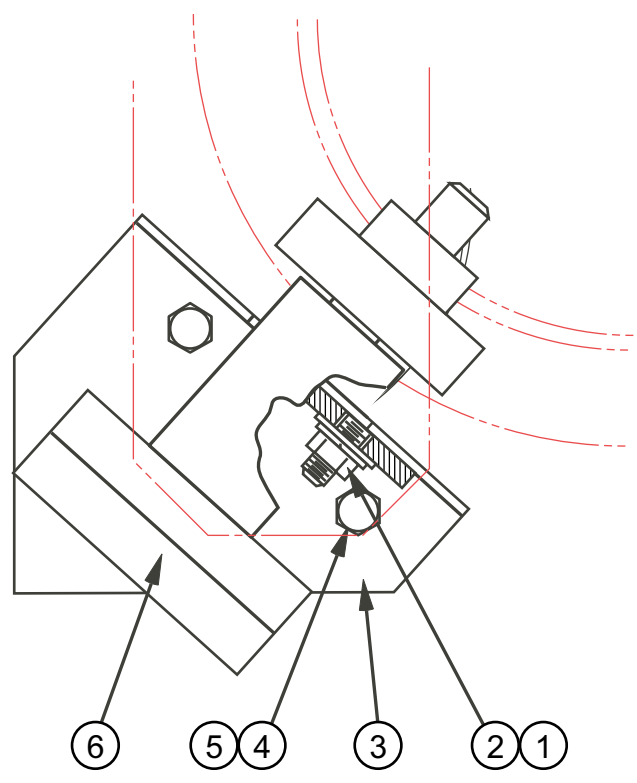
FINAL ASSEMBLY

INDEX NO.	PART NO.	DESCRIPTION	UNITS PER ASS'Y.	INDEX NO.	PART NO.	DESCRIPTION	UNITS PER ASS'Y.
Ref.	1008782	Final Assembly		48	1011185	. Discharge Chute Weldmwent	1
1	320595	. L.H. Blade Guard Weldment	1	49	209790	. Saw Band (Imperial Bi-Metal Super Silencer)	1
2	199974	. Screw, Button Hd. Soc. M5-0.8 x 10	2	50	304525	. Saw Band Tag	1
3	199258	. Washer, Flat #10 S.A.E. Std.	2	51	175144	. Pin	1
4	1008854	. Shield	1	52	35-006426	. Retaining Ring	2
5	199974	. Screw, Button Hd. Soc. M5-0.8 x 10	2	53	417931	. Head Feed Control Assembly (See Detail)	1
6	199258	. Washer, Flat #10 S.A.E. Std.	2	54	1008305	. Pin	1
7	199530	. Nut, Hex. Self-Locking M5-0.8	2	55	35-006426	. Retaining Ring	2
8	1008682	. Decal (400A)	1	56		. Vise Detail (See Detail)	1
9	416163	. Label (DoALL)	1	57	1012541	. Label (Machine Data)	2
10	1009128	. L.H. Door Weldment	1	58	1009198	. Head Assembly (See Detail)	1
11	199299	. Self Drilling Fastener M4.8 x 13	4	59	201469	. Decal (American Flag)	1
12	197022	. Nylon Edging	A.R.	60	176072	. Escutcheon (Band Tension)	1
13	175478	. Door Stop	1	61	1009423	. R.H. Band Guard	1
14	199899	. Screw, Button Hd. Soc. M6-1.0 x 16	1	62	199974	. Screw, Button Hd. Soc. M5-0.8 x 10	2
15	199245	. Locknut M6-1.0	1	63	320619	. Bracket	1
16	199965	. Washer, Flat M6	1	64	198161	. Screw, Hex. Hd. Cap M10-1.5 x 20	2
17	316583	. Spring Latch (Each Door)	2	65	199346	. Washer, Lock M10	2
18	199974	. Screw, Button Hd. Soc. M5-0.8 x 10	4	66	517499	. Counterbalance Spring Assembly (See Detail)	1
19	201569	. Pull Pocket	2				
20	1008801	. Band Cover Weldment (Standard)	1				
	1008802	. Band Cover Weldment (Mist Lubricator Option)	1				
21	199974	. Screw, Button Hd. Soc. M5-0.8 x 10	4				
22	199222	. Nut, Hex. Jam M12-1.75	1				
23	1013087	. Work Height Assembly (See Detail) ...	1				
24	1009498	. Drive Assembly (See Detail)	1				
25	207716	. Band Wiper Assembly (See Detail)	1				
26	199974	. Screw, Button Hd. Soc. M5-0.8 x 10	2				
27	175268	. Bearing Cover	1				
28	199974	. Screw, Button Hd. Soc. M5-0.8 x 10	2				
29	1008687	. Saw Band Selector	1				
30	1009124	. R.H. Door Weldment	1				
31	199299	. Self Drilling Fastener M4.8 x 13	4				
32	197022	. Nylon Edging	A.R.				
33	404478	. Escutcheon (Warning)	1				
34	209652	. Label (Diameters/X-Section Area)	1				
35	517475	. Pneumatc Head Lift Assembly (See Detail)	1				
36	1011010	. Front Spalsh Guard Weldment	1				
37	1011193	. Workstop Assembly (See Detail)	1				
38	1008849	. Flood Coolant Assembly (See Detail) ..	1				
	214935	. Mist Lubricator Assembly (Optional) (See Detail)	1				
	1008850	. Flood Coolant/Mist Lubricator Assembly (Optional) (See Detail)	1				
39	012420	. Foot Casting	4				
40	199253	. Screw, Hex. Hd. Cap M16-2.0 x 70	4				
41	199955	. Nut, Hex. Jam M16-2.0	4				
42	199974	. Screw, Button Hd. Soc. M5 x 0.8 x 10 .	2				
43	199258	. Washer, Flat #10 Std. S.A.E.	2				
44	177670	. Spring Ejector & Tag Assembly	1				
	315847	. Spring Ejector	1				
	177669	. Instruction Tag	1				
45	199974	. Screw, Button Hd. Soc. M5-0.8 x 10	1				
46	176888	. Cable Tie Mount	1				
	199399	. Screw, Rd. Hd. Drive #4 x 1/4	1				
47	6000057	. Base Weldment	1				

Following Not Shown:

406872	. Instruction Tag	1
206698	. CE Label (Europa Only)	1
1009495	. Shipping Pallet and Hardware	1
416770	. Shipping Bracket	1
1009437	. Documentation CD	1
207510	. Box of Extra Parts	1
207513	. Hex. Key (10 mm)	1
199246	. Screw, Button Hd. Soc. M6-1.0 x 12 (For Wear Plate When Shipping Bracket is Removed)	2

NEW DRG. S.C.L. 2-22-10
REVISIONS

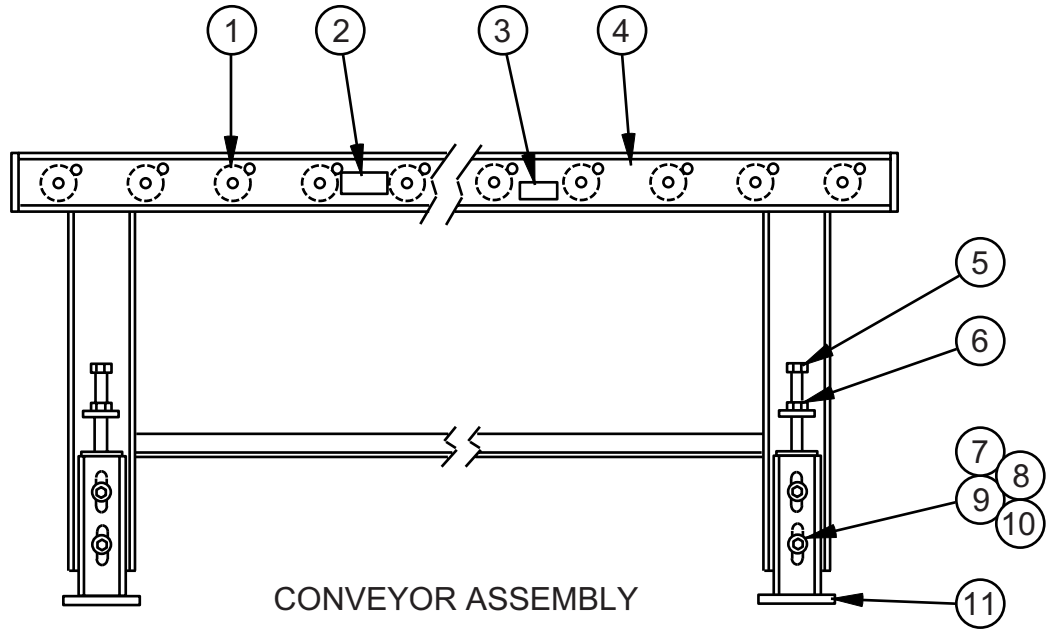


MODEL	FIRST MACH.	LAST MACH.
400A	595-10101	
400M	596-10101	
400S	597-09101	

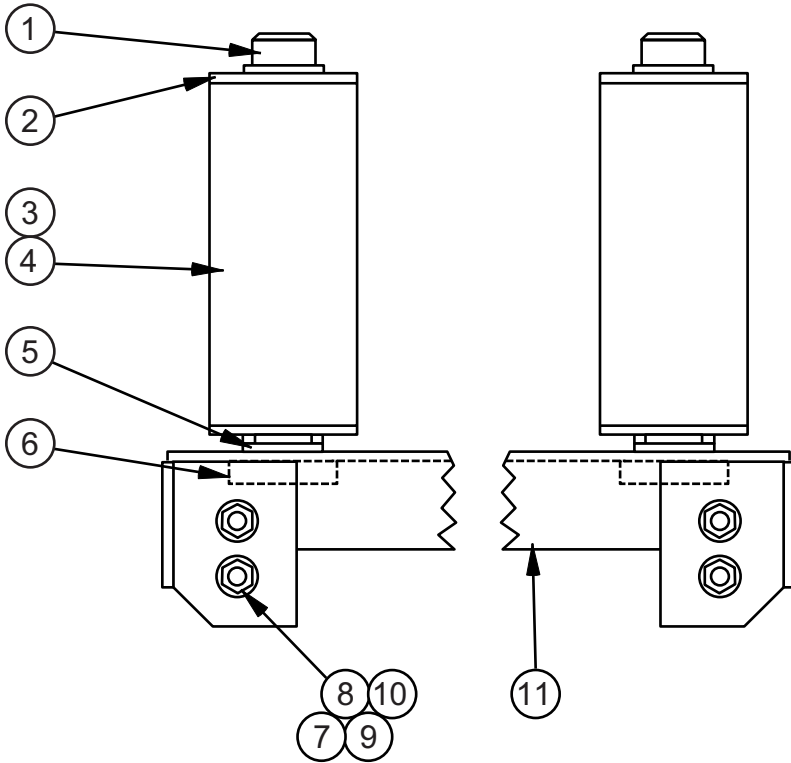
BAND BRUSH ASSEMBLY

BAND BRUSH ASSEMBLY

INDEX NO.	PART NO.	DESCRIPTION	UNITS PER ASS'Y.
Ref.	417836	Band Brush Assembly (Powered)	
1	199188	. Nut, Hex. M6-1.0	2
2	199579	. Washer, Flat M6 Wrought	4
3	320802	. Bracket Weldment	1
4	199899	. Screw, Button Hd. Soc. M6-1.0 x 16	2
5	199347	. Washer, Lock M6	4
6	320800	. Band Brush Assembly (See Detail)	1
Ref.	320800	. Band Brush Assembly	
1	209672	.. Shaft	1
2	320799	.. Bracket Weldment	1
3	208826	.. Retaining Ring	1
4	133470	.. Spacer (.0149)	A.R.
5	133471	.. Spacer (.0299)	A.R.
6	010983	.. Wire Brush	2
7	199222	.. Nut, Hex. Jam M12-1.75	2
8	207462	.. Bearing	2
9	35-009613	.. Retaining Ring If Supplied)	1
10	320801	.. Pinion	1
11	004260	.. Spring Pin	1



CONVEYOR ASSEMBLY



VERTICAL GUIDE ROLLER ASSEMBLY

MODEL FIRST MACH. LAST MACH.

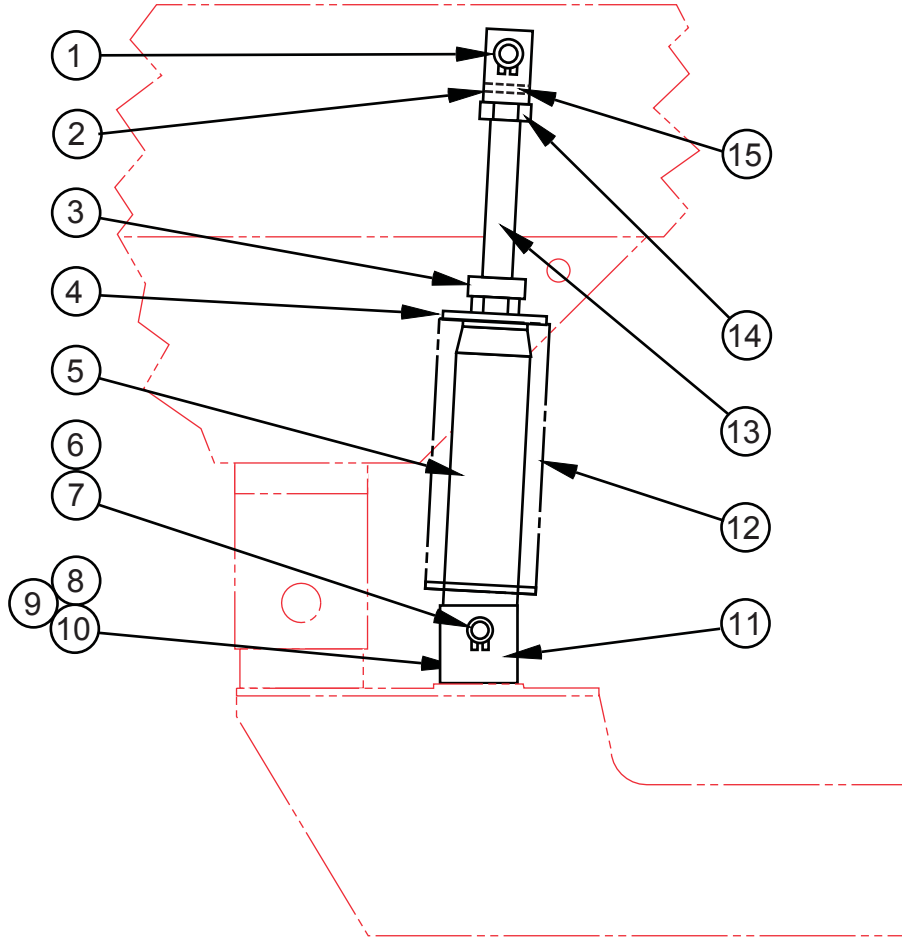
400A	595-10101
400M	596-10101
400S	597-09101

CONVEYOR ASSEMBLY (AND RELATED ITEMS)

CONVEYOR ASSEMBLY
(And Related Items)

INDEX NO.	PART NO.	DESCRIPTION	UNITS PER ASS'Y.
Ref.	207709	5' Conveyor Assembly	
1	202786	. Roller	5
2	203025	. Label (DoALL Logo)	2
3	203035	. Label (Conveyor Capacity)	2
4	517488	. Frame Weldment	1
5	199288	. Screw, Hex. Hd. Cap M12-1.75 x 150	4
6	199933	. Nut, Hex. M12-1.75	4
7	199581	. Screw, Hex. Hd. Cap M12-1.75 x 35	8
8	199289	. Washer, Flat M12 Wrought	16
9	199345	. Washer, Lock M12	8
10	199933	. Nut, Hex. M12-1.75	8
11	417100	. Foot Weldment	4
Ref.	207710	10' Conveyor Assembly	
1	202786	. Roller	10
2	203025	. Label (DoALL Logo)	2
3	203035	. Label (Conveyor Capacity)	2
4	517489	. Frame Weldment	1
5	199288	. Screw, Hex. Hd. Cap M12-1.75 x 150	6
6	199933	. Nut, Hex. M12-1.75	6
7	199581	. Screw, Hex. Hd. Cap M12-1.75 x 35	12
8	199289	. Washer, Flat M12 Wrought	24
9	199345	. Washer, Lock M12	12
10	199933	. Nut, Hex. M12-1.75	12
11	417100	. Foot Weldment	6
		Optional Filler Plates (Not Shown):	
	217236	. Filler Plate (6.97 Long) (Optional)	1
	217233	. Filler Plate (9.25 Long) (Optional).....	A.R.
Ref.	517268	Vertical Guide Roller Assembly	
1	199295	. Screw, Hex. Hd. Cap M16-2.0 x 220	2
2	850900	. Roller End Bearing	4
3	206750	. Roller	2
4	206861	. Roller Shaft	2
5	199296	. Clevis Pin Washer	2
6	206893	. Square Nut M16-2.0	2
7	199975	. Screw, Hex. Hd. Cap M10-1.5 x 35	8
8	199346	. Washer, Lock M10	8
9	198976	. Washer, Flat M10	16
10	199939	. Nut, Hex. M10-1.5	8
11	516029	. Base Weldment	8

NEW DRG. S.C.L. 2-22-10
REVISIONS



MODEL 400S SHOWN.

MODEL	FIRST MACH.	LAST MACH.
400A	595-10101	
400M	596-10101	
400S	597-09101	

COUNTERBALANCE SPRING ASSEMBLY

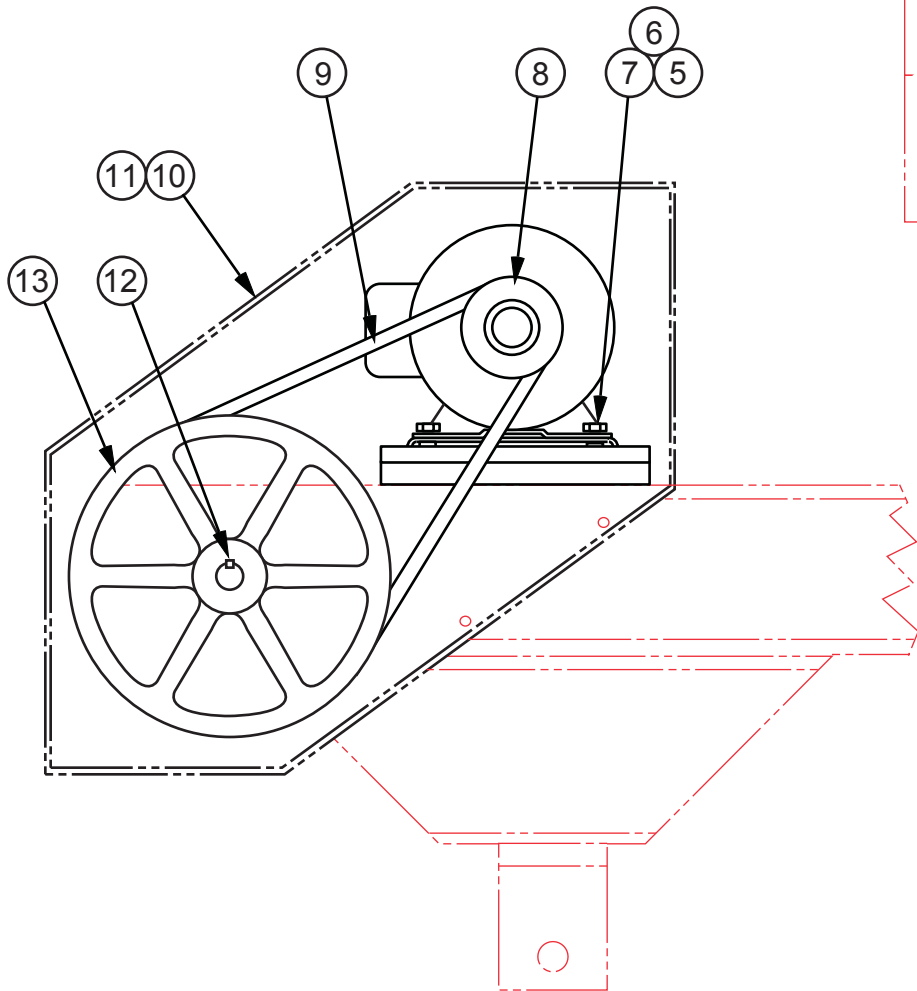
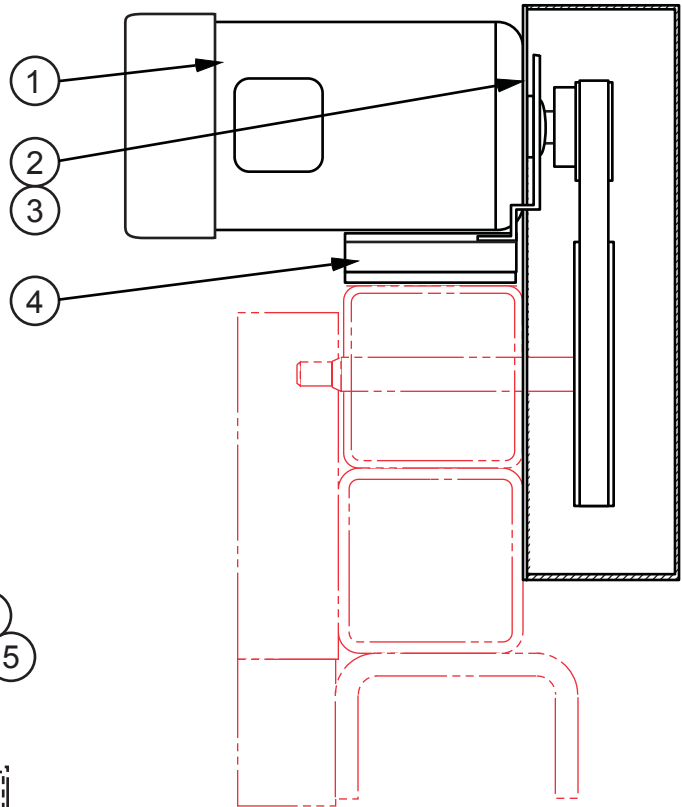
COUNTERBALANCE SPRING ASSEMBLY

INDEX NO.	PART NO.	DESCRIPTION	UNITS PER ASS'Y.
Ref.	517499	Counterbalance Spring Assembly	
1	35-008688	. Retaining Ring	1
2*	178683	. Clevis	1
3*	201366	. Shaft Collar	1
4	179576	. Top Washer	1
5	318126	. Rod Guide Weldment	1
6	179579	. Pin	1
7	35-009613	. Retaining Ring	2
8	198161	. Screw, Hex. Hd. Cap M10-1.5 x 20	2
9	199346	. Washer, Lock M10	2
10	198976	. Washer, Flat M10	2
11	318127	. Bracket	1
12	178236	. Compression Spring	1
13*	179577	. Threaded Rod 3/4-10NC x 13-1/2	1
14*	199140	. Nut, Hex. Jam 3/4-10NC	2
15*	004261	. Spring Pin	1

*NOTE: Marked Items are Part of Assembly #326829 - Screw and Lug Assembly.

NEW DRG.
S.C.L. 3-22-10

REVISIONS



MODEL FIRST MACH. LAST MACH.
400A 595-10101

DRIVE ASSEMBLY

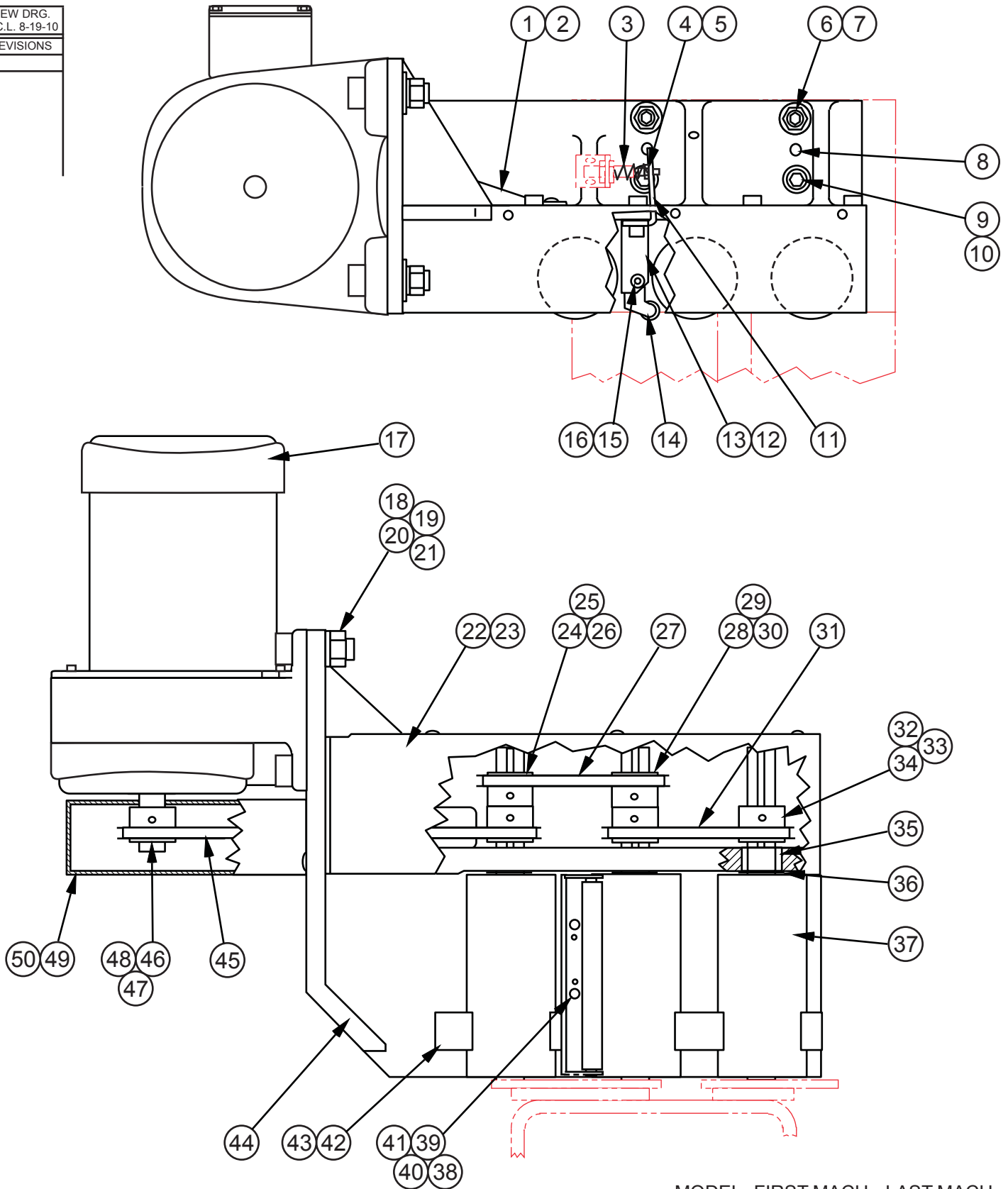
PS - 4 - 130

PRINTED IN U.S.A.

DRIVE ASSEMBLY

INDEX NO.	PART NO.	DESCRIPTION	UNITS PER ASS'Y.
Ref.	1009493	Drive Assembly	
1	209624	. Electric Motor	1
	209625	. Electric Motor (575V Only)	
2	1009176	. Cover Mounting Plate	1
3	199969	. Screw, Button Hd. Soc. M6-1.0 x 10	4
4	420275	. Motor Mount Weldment	1
5	199239	. Screw, Hex. Hd. Cap M8-1.25 x 20	4
6	199968	. Washer, Lock M8	4
7	198574	. Washer, Flat M8 Wrought	4
8	219095	. Motor Pulley	1
9	209498	. V-Belt	1
10	1009175	. Cover Weldment	1
11	199974	. Screw, Button Hd. Soc. M5-0.8 x 10	6
12	004443	. Key	1
13	1008792	. Spindle Pulley	1

NEW DRG.
S.C.L. 8-19-10
REVISIONS



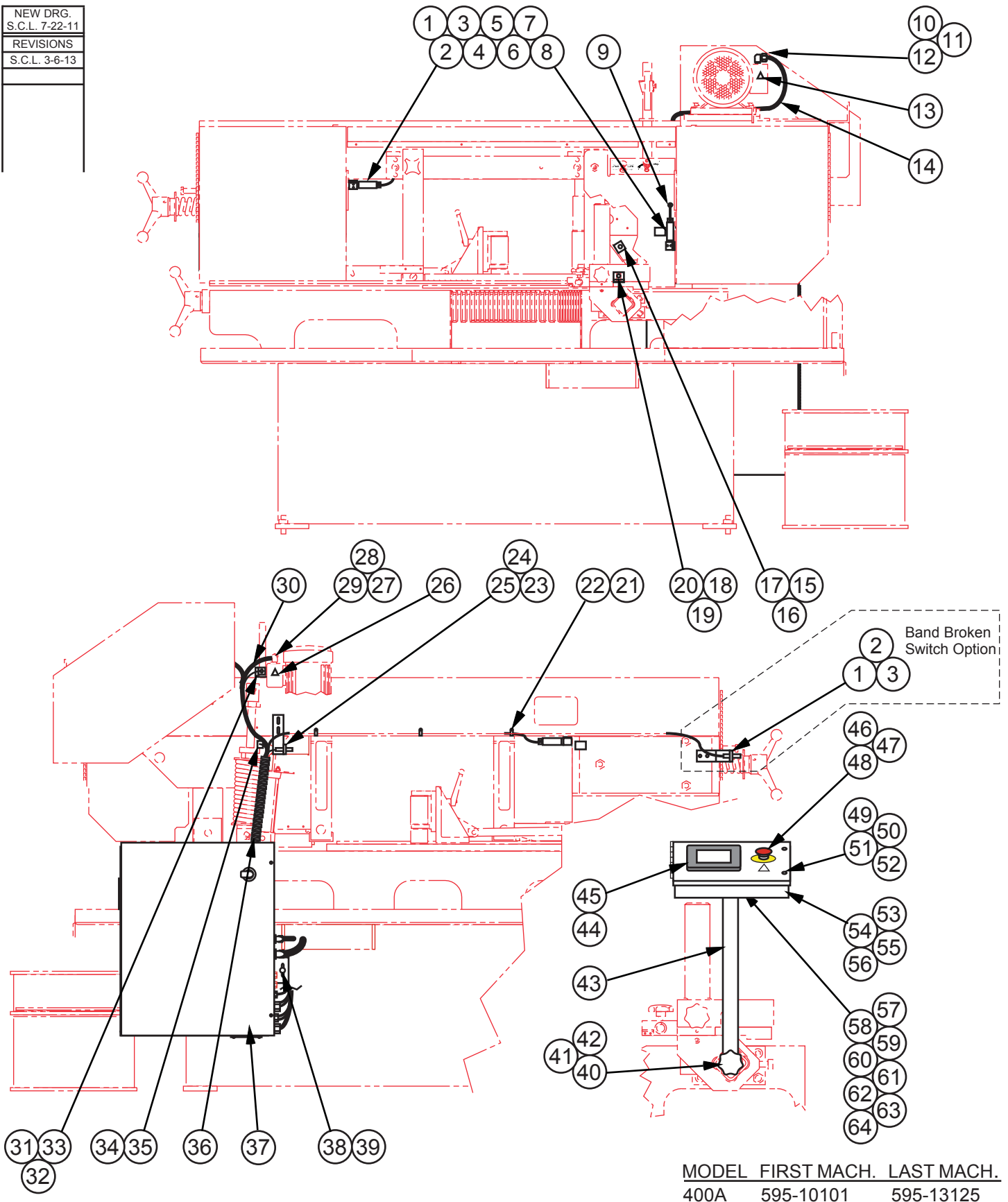
MODEL FIRST MACH. LAST MACH.
 400A 595-10101

DRIVE ROLLER VISE JAW ASSEMBLY

DRIVE ROLLER VISE JAW ASSEMBLY

INDEX NO.	PART NO.	DESCRIPTION	UNITS PER ASS'Y.
Ref.	517272	Drive Roller Vise Jaw Assembly (Standard Rollers)	
Ref.	517273	Drive Roller Vise Jaw Assembly (Optional Knurled Rollers)	
1	415766	. Rear Chain Cover	1
2	199974	. Screw, Button Hd. Soc. M5-0.8 x 10	2
3	175367	. Compression Spring	1
4	199051	. Screw, Soc. Hd. Cap M6-1.0 x 12	1
5	199188	. Nut, hex. M6-1.0	1
6	198572	. Screw, Soc. Set M12-1.75 x 50	2
7	199222	. Nut, Hex. Jam M12-1.75	2
8	109364	. Dowel Pin	2
9	199918	. Screw, Soc. Hd. Cap M12-1.75 x 45	2
10	205188	. Washer, Lock M12 Hi-Collar	2
11	324065	. Actuator Weldment	1
12	324066	. Actuator Mounting Bracket	1
13	199051	. Screw, Soc. Hd. Cap M6-1.0 x 12	2
14	324182	. Roller Assembly (Weldment)	1
15	176460	. Shaft	1
16	35-008582	. Retaining Ring	2
17	221850	. Gear Motor (208V, 230V, 460V, 575V)	1
	221852	. Gear Motor (200V)	1
	221851	. Gear Motor (400V)	1
18	199652	. Screw, Soc. Hd. Cap 7/16-14NC x 1-3/4	4
19	199265	. Washer, Flat 7/16 S.A.E. Std.	4
20	199326	. Washer, Lock 7/16 Std.	4
21	199174	. Nut, Hex. 7/16-14NC	4
22	415763	. Top Chain Cover	1
23	199974	. Screw, Button Hd. Soc. M5-0.8 x 10	3
24	202797	. Sprocket	2
25	205162	. Spring Pin	2
26	014213	. Key	1
27	176651	. Roller Chain	1
28	202797	. Sprocket	2
29	205162	. Spring Pin	2
30	014213	. Key	1
31	176651	. Roller Chain	1
32	202797	. Sprocket	1
33	205162	. Spring Pin	1
34	014214	. Key	1
35	176480	. DU Sleeve Bearing	3
36	5-004306	. Spacer	3
37	417593	. Roller (Standard)	3
	417594	. Roller (Optional Knurled)	3
38	199728	. Screw, Button Hd. Soc. M4-0.7 x 10	2
39	133476	. Shim (.003)	A.R.
40	133478	. Shim (.010)	A.R.
41	017896	. Shim (.015)	A.R.
42	320612	. Bearing Block	1
43	199896	. Screw, Soc. Hd. Cap M10-1.5 x 25	4
44	517274	. Roller And Gear Motor Housing	1
45	176859	. Roller Chain	1
46	202797	. Sprocket	1
47	205162	. Spring Pin	1
48	172717	. Loctite (Dry-Loc Green 202)	A.R.
49	317219	. Chain Cover Weldment	1
50	199974	. Screw, Button Hd. Soc. M5-0.8 x 10	2

NEW DRG.
S.C.L. 7-22-11
REVISIONS
S.C.L. 3-6-13

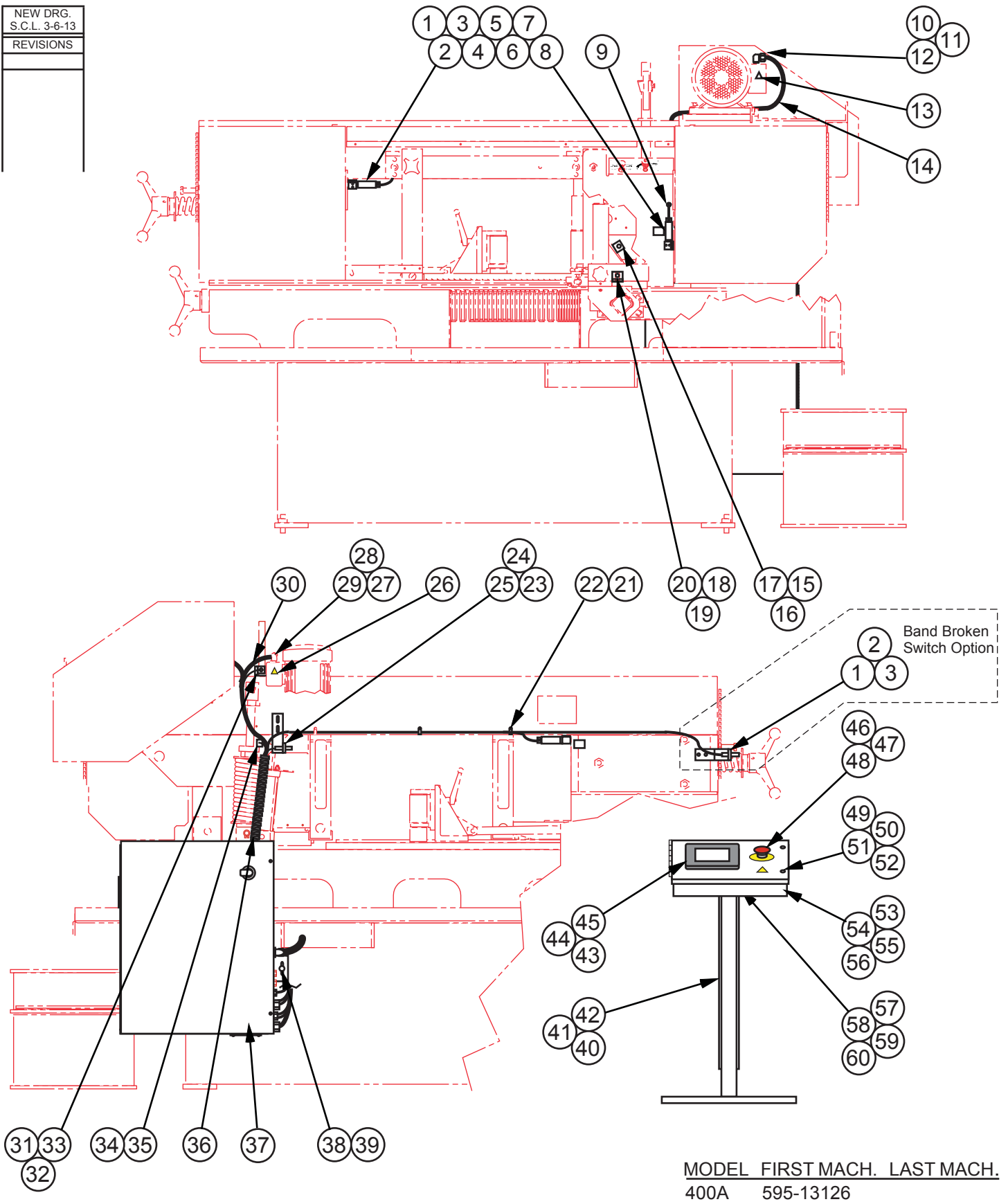


ELECTRICAL ASSEMBLY

ELECTRICAL ASSEMBLY

INDEX NO.	PART NO.	DESCRIPTION	UNITS PER ASS'Y.	INDEX NO.	PART NO.	DESCRIPTION	UNITS PER ASS'Y.
Ref.		Electrical Assembly		46	207191	. Pushbutton Operator (Red Mushroom Head)	1
1	215624	. Limit Switch (Door Interlock)	2	47	211501	. Contact Block (2-NC)	1
2	199389	. Screw, Button Hd. Soc. M4-0.7 x 30 ..	4	48	202902	. E-Stop Marker (Yellow)	1
3	215619	. Cord Grip Connector (.236-.472)	2	49	207523	. Screw, Hex. Hd. Slotted M6-1.0 x 20 ..	3
4	197332	. Electrical Cord (#18-2 Conductor)	A.R.	50	204153	. Nylon Washer	3
5	221855	. Interlock Key Bracket	2	51	207525	. Rivet Nut M6-1.0	3
6	199728	. Screw, Button Hd. Soc. M4-0.7 x 10 ..	8	52	204151	. Retainer Ring	3
7	199214	. Nut, Hex. M4-0.7	4	53	1007723	. Enclosure Weldment	1
8	199248	. Washer, Flat M4	A.R.	54	199122	. Nut, Hex. 5/16-18NC	4
9	015780	. Rubber Grommet	1	55	199262	. Washer, Flat 5/16 S.A.E. Std.	4
10	016160	. 90° Cord Grip Connector	1	56	199323	. Washer, Lock 5/16 Std.	4
11	014480	. Flange Washer	1	57	014507	. 45° Sealtite Connector	1
12	015607	. Bond Nut	1	58	014411	. Flanged Washer	1
13	176528	. Label (Electrical Hazard)	1	59	005593	. Plastic Insulated Bushing	1
14	197218	. Electrical Cord (#14-4 Conductor)	A.R.	60	197156	. Sealtite Conduit 1/2 I.D.	A.R.
	197219	. Electrical Cord (#14-3 Conductor) (Single Phase Motors Only)	A.R.	61	014685	. 45° Sealtite Connector	1
15	215048	. Proximity Switch (Out of Stock)	1	62	014480	. Flanged Washer	1
16	1013075	. Bracket	1	63	014772	. Plastic Insulated Bushing	1
17	198722	. Screw, Button Hd. Soc. M4-0.7 x 6	2	64	197158	. Sealtite Conduit 3/4 I.D.	A.R.
18	215048	. Proximity Switch (Stock Forward)	1			Following Not Shown:	
19	1013075	. Bracket	1		221545	. Worklamp (Optional)	1
20	198722	. Screw, Button Hd. Soc. M4-0.7 x 6	2		207784	. Nut, Hex. Self-Locking 3/8-16NC	1
21	167329	. Nylon Clamp	4	Ref.		Band Broken Switch Option	
22	199728	. Screw, Button Hd. Soc. M4-0.7 x 10 ..	4	1	215048	. Proximity Switch (Band Broken)	1
23	215048	. Proximity Switch (Head Down)	1	2	220256	. Mounting Bracket	1
24	1013076	. Bracket	1	3	199243	. Screw, Button Hd. Soc. M5-0.8 x 12 ..	2
25	199974	. Screw, Button Hd. Soc. M5-0.8 x 10 ..	2				
26	176528	. Label (Electrical Hazard)	1				
27	016160	. 90° Cord Grip Connector	1				
28	014480	. Flange Washer	1				
29	015607	. Bond Nut	1				
30	197218	. Electrical Cord (#14-4 Conductor)	A.R.				
31	1013088	. Bracket	1				
32	199974	. Screw, Button Hd. Soc. M5-0.8 x 10 ..	2				
33	215048	. Proximity Switch (Head Up)	1				
34	177054	. Solenoid DIN Connector	1				
35	197344	. Electrical Cord (#18-3 Conductor)	A.R.				
36	197388	. Wire Wrap (1" Black Poly)	A.R.				
37		. Electrical Control Box Assembly (See Detail)	1				
38	199819	. Screw, Soc. Hd. Cap M8-1.25 x 16 ...	1				
39	199968	. Washer, Lock M8	1				
40	207521	. Knob w/Stud	1				
41	204203	. Brass Plug	1				
42	201915	. Shaft Collar	2				
43	1013045	. Console Post Weldment	1				
44	224729	. Programmed Operator Workstation ...	1				
45	221247	. Communication Cable (#1)	1				

NEW DRG. S.C.L. 3-6-13
REVISIONS



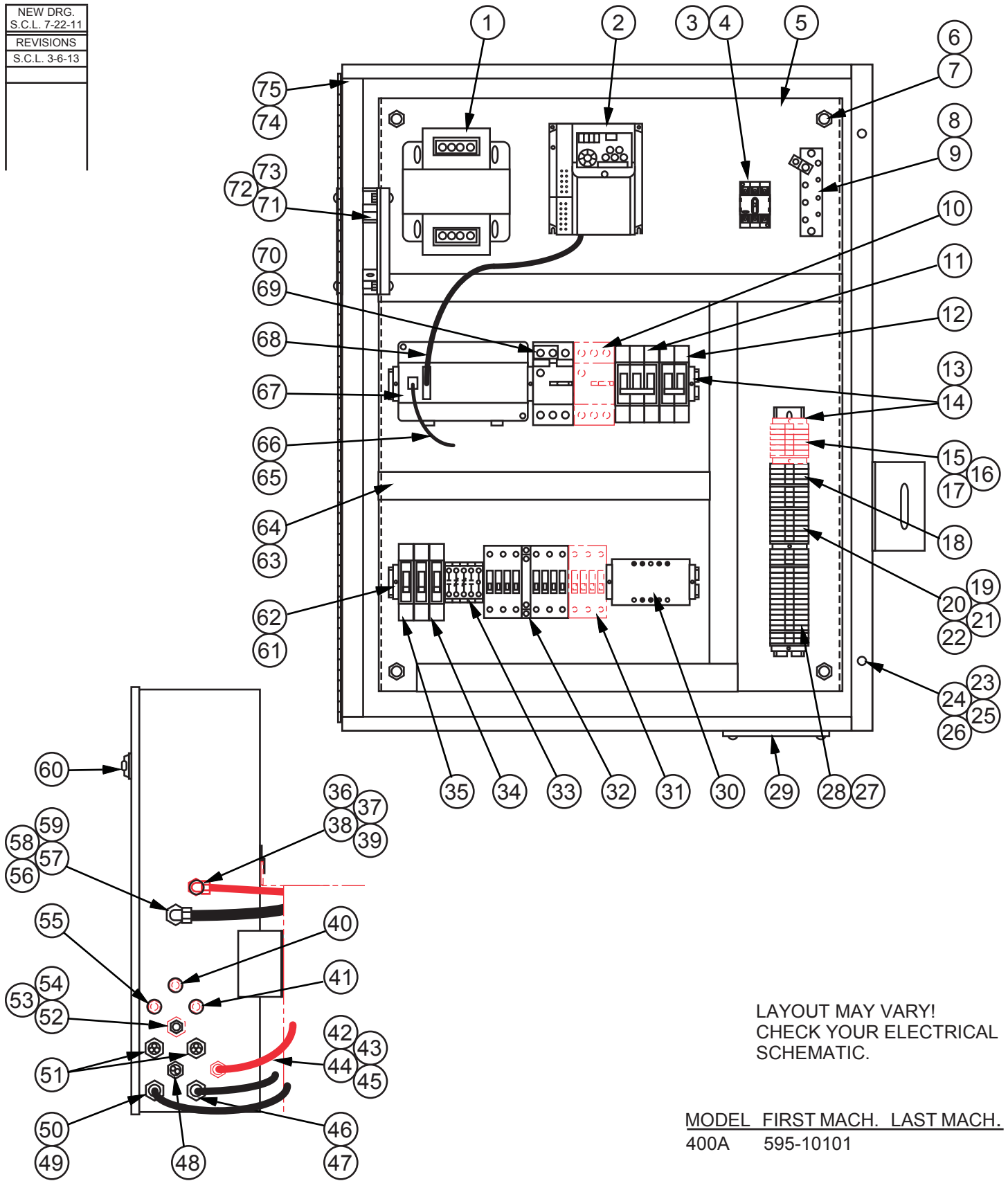
MODEL FIRST MACH. LAST MACH.
400A 595-13126

ELECTRICAL ASSEMBLY

ELECTRICAL ASSEMBLY

INDEX NO.	PART NO.	DESCRIPTION	UNITS PER ASS'Y.	INDEX NO.	PART NO.	DESCRIPTION	UNITS PER ASS'Y.
Ref.		Electrical Assembly		46	207191	. Pushbutton Operator (Red Mushroom Head)	1
1	215624	. Limit Switch (Door Interlock)	2	47	211501	. Contact Block (2-NC)	1
2	199389	. Screw, Button Hd. Soc. M4-0.7 x 30 ..	4	48	202902	. E-Stop Marker (Yellow)	1
3	215619	. Cord Grip Connector (.236-.472)	2	49	207523	. Screw, Hex. Hd. Slotted M6-1.0 x 20	3
4	197332	. Electrical Cord (#18-2 Conductor)	A.R.	50	204153	. Nylon Washer	3
5	221855	. Interlock Key Bracket	2	51	207525	. Rivet Nut M6-1.0	3
6	199728	. Screw, Button Hd. Soc. M4-0.7 x 10 ..	8	52	204151	. Retainer Ring	3
7	199214	. Nut, Hex. M4-0.7	4	53	1007723	. Enclosure Weldment	1
8	199248	. Washer, Flat M4	A.R.	54	199122	. Nut, Hex. 5/16-18NC	4
9	015780	. Rubber Grommet	1	55	199262	. Washer, Flat 5/16 S.A.E. Std.	4
10	016160	. 90° Cord Grip Connector	1	56	199323	. Washer, Lock 5/16 Std.	4
11	014480	. Flange Washer	1	57	014685	. 45° Sealtite Connector	1
12	015607	. Bond Nut	1	58	014480	. Flanged Washer	1
13	176528	. Label (Electrical Hazard)	1	59	014772	. Plastic Insulated Bushing	1
14	197218	. Electrical Cord (#14-4 Conductor)	A.R.	60	197158	. Sealtite Conduit 3/4 I.D.	A.R.
	197219	. Electrical Cord (#14-3 Conductor) (Single Phase Motors Only)	A.R.			Following Not Shown:	
15	215048	. Proximity Switch (Out of Stock)	1		221545	. Worklamp (Optional)	1
16	1013075	. Bracket	1		207784	. Nut, Hex. Self-Locking 3/8-16NC	1
17	198722	. Screw, Button Hd. Soc. M4-0.7 x 6	2	Ref.		Band Broken Switch Option	
18	215048	. Proximity Switch (Stock Forward)	1	1	215048	. Proximity Switch (Band Broken)	1
19	1013075	. Bracket	1	2	220256	. Mounting Bracket	1
20	198722	. Screw, Button Hd. Soc. M4-0.7 x 6	2	3	199243	. Screw, Button Hd. Soc. M5-0.8 x 12	2
21	167329	. Nylon Clamp	4				
22	199728	. Screw, Button Hd. Soc. M4-0.7 x 10 ..	4				
23	215048	. Proximity Switch (Head Down)	1				
24	1013076	. Bracket	1				
25	199974	. Screw, Button Hd. Soc. M5-0.8 x 10 ..	2				
26	176528	. Label (Electrical Hazard)	1				
27	016160	. 90° Cord Grip Connector	1				
28	014480	. Flange Washer	1				
29	015607	. Bond Nut	1				
30	197218	. Electrical Cord (#14-4 Conductor)	A.R.				
31	1013088	. Bracket	1				
32	199974	. Screw, Button Hd. Soc. M5-0.8 x 10 ..	2				
33	215048	. Proximity Switch (Head Up)	1				
34	177054	. Solenoid DIN Connector	1				
35	197344	. Electrical Cord (#18-3 Conductor)	A.R.				
36	197388	. Wire Wrap (1" Black Poly)	A.R.				
37		. Electrical Control Box Assembly (See Detail)	1				
38	199819	. Screw, Soc. Hd. Cap M8-1.25 x 16	1				
39	199968	. Washer, Lock M8	1				
40	1008739	. Back Cover	1				
41	199969	. Screw, Button Hd. Soc. M6-1.0 x 10 ..	4				
42	1007745	. Consolet Weldment	1				
43	224729	. Programmed Operator Workstation	1				
44	219360	. Ethernet Cable (#1)	1				
45	222298	. D-Sub Connector Plug (25 Pin)	1				

NEW DRG.
S.C.L. 7-22-11
REVISIONS
S.C.L. 3-6-13



ELECTRICAL CONTROL BOX ASSEMBLY

ELECTRICAL CONTROL BOX ASSEMBLY

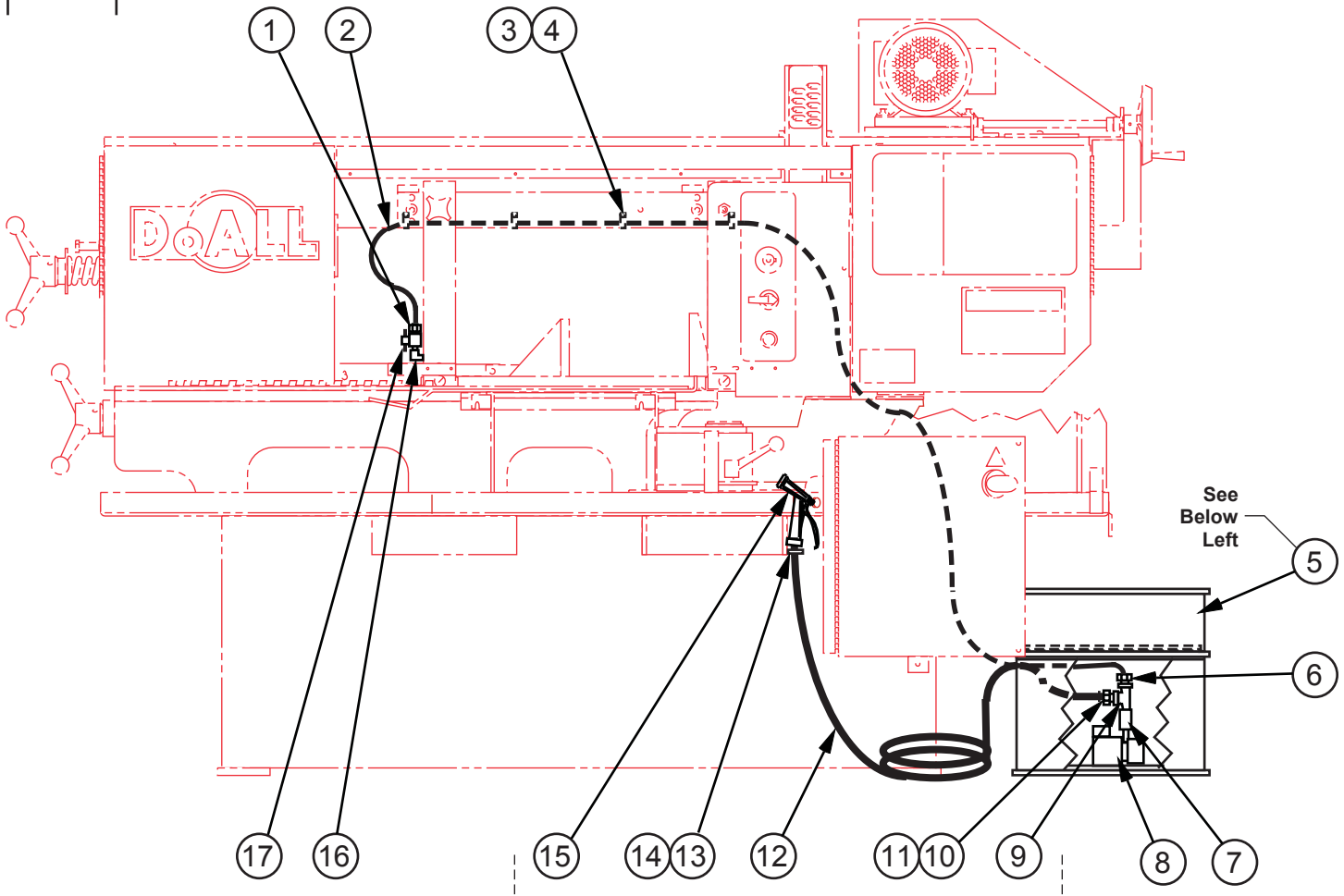
INDEX NO.	PART NO.	DESCRIPTION	UNITS PER ASS'Y.	INDEX NO.	PART NO.	DESCRIPTION	UNITS PER ASS'Y.
Ref.		Electrical Control Box Assembly		51	1004154	. Cord Grip Connector (3 Hole Insert)	2
1	320113	. Transformer (208V)	1	52	201688	. Cord Grip Connector (.200-.394)	1
	320114	. Transformer (230V, 460V, 575V)	1		201687	. Cord Grip Connector (.545-.709) (50 Hz Only)	1
	217753	. Transformer (400V)	1				
2	1009580	. Variable Frequency Drive Module (208V, 230V, 575V)	1	53	197322	. Electrical Cord (#18-2 Conductor)	A.R.
	1009581	. Variable Frequency Drive Module (400V, 460V)	1		197218	. Electrical Cord (#14-4 Conductor) (50 Hz Only)	A.R.
3	1007434	. Disconnect Switch	1	54	007635	. Wire Terminal Ring #10 (50 Hz Only) ..	4
4	1007441	. Disconnect Switch Shaft	1	55	135106	. Hole Seal	1
5	421530	. Enclosure Panel	1		201688	. Cord Grip Connector (.200-.394) (Mist Lubricator Option)	1
6	199126	. Nut, hex. 3/8-16NC	4	56	014486	. 45° Sealtite Connector	1
7	199325	. Washer, Lock 3/8 Std.	4	57	014480	. Flanged Washer	1
8	320740	. Grounding Bus	1	58	014772	. Plastic Insulated Bushing	1
9	139194	. Wire Terminal Lug	1	59	197158	. Sealtite Conduit 3/4 I.D.	A.R.
10	220642	. Motor Starter Protector (50 Hz Only) ...	1	60	1007437	. Disconnect Switch Handle	1
11	1007425	. Circuit Breaker (208V, 230V, 575V)	1	61	169674	. Mounting Channel	A.R.
	1007423	. Circuit Breaker (400V)	1	62	200618	. End Stop	3
	1007422	. Circuit Breaker (460V)	1	63	197208	. 1" Wiring Channel	A.R.
12	1007403	. Circuit Breaker (208V)	1	64	197210	. 1" Wiring Channel Cover	A.R.
	1007401	. Circuit Breaker (230V, 575V)	1	65*	219360	. Ethernet Cable (#1)	1
	1007400	. Circuit Breaker (400V)	1	66*	222298	. D-Sub Connector Plug (25 Pin)	1
	1007399	. Circuit Breaker (460V)	1	67	224728	. Programmed PLC Unit	1
13	169674	. Mounting Channel	A.R.	68	1007728	. Cable (#2)	1
14	200618	. End Stop	7	69	220645	. Motor Starter Protector (208V, 230V, 575V)	1
15	200615	. Terminal Block (575V Only)	6		220644	. Motor Starter Protector (400V)	1
16	200618	. End Stop (575V Only)	1		220643	. Motor Starter Protector (460V)	1
17	200617	. End Section (575V Only)	1	70	220655	. Auxiliary Contact (1-NC)	1
18	222284	. Terminal Block (Yellow)	4	71	208798	. Axial Fan	1
19	200615	. Terminal Block	10	72	208799	. Fan Cover	2
20	200617	. End Section	3	73	208800	. Fan Lead Wire	1
21	202922	. Jumper Bar	2	74*	1014469	. Enclosure Weldment	1
22	1009749	. Terminal Marker Set	1	75	203925	. Gasket Strip	A.R.
23	207523	. Screw, Hex. hd. Slotted M6-1.0 x 20 ...	2				
24	204153	. Nylon Washer	2				
25	204151	. Retaining Ring	2				
26	207525	. Nut Rivet M6-1.0	2				
27	209033	. Terminal Block (Blue)	17				
28	209034	. End Section	3				
29	208799	. Fan Cover	1				
30	322568	. Power Supply	1				
31	207206	. Contactor (50 Hz Only)	1				
32	207217	. Contactor	1				
33	207200	. Control Relay	1				
34	420356	. Circuit Breaker	2				
35	420358	. Circuit Breaker	1				
36	135106	. Hole Seal	1				
	014504	. 90° Sealtite Connector (If Supplied)	1				
37	014411	. Flanged Washer (If Supplied)	1				
38	005593	. Plastic Insulated Bushing (If Supplied) ..	1				
39	197156	. Sealtite Conduit 1/2 I.D. (If Supplied) ..	A.R.				
40	135106	. Hole Seal	1				
	201688	. Cord Grip Connector (.200-.394) (Worklight Option)	1				
41	135106	. Hole Seal	1	65	221247	. Communication Cable (#1)	1
	201686	. Cord Grip Connector (.157-.314) (Band Broken Switch Option)	1	74	1013039	. Enclosure Weldment	1
42	014545	. Sealtite Connector (575V Only)	1				
43	014411	. Flanged Washer (575V Only)	1				
44	005593	. Plastic Insulated Bushing (575V Only) .1	1				
45	197156	. Sealtite Conduit 1/2 I.D. (575V Only) ...	A.R.				
46	201687	. Cord Grip Connector (.545-.709)	1				
47	197218	. Electrical Cord (#14-4 Conductor)	A.R.				
48	1004153	. Cord Grip Connector (2 Hole Insert)	1				
49	201687	. Cord Grip Connector (.545-.709)	1				
50	197218	. Electrical Cord (#14-4 Conductor)	A.R.				

Following Not Shown:

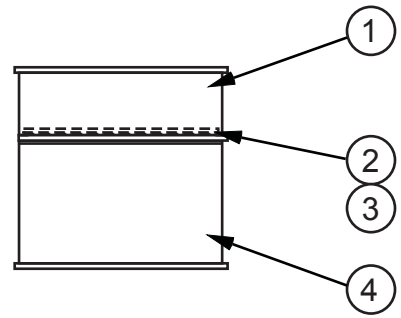
224730	. CB and MSP Schedule	1
1003427	. UL/cUL Label	1
007635	. Wire Terminal Ring #10	6
207111	. Wire Terminal Locking Fork #8	5
197339	. Wire, #14 Black (19 Strand)	A.R.
197195	. Wire, #14 Green/Yellow (19 Strand)	A.R.
197197	. Wire, #16 Red (19 Strand)	A.R.
197325	. Wire, #16 White (19 Strand)	A.R.
197343	. Wire, #16 Green/Yellow (19 Strand)	A.R.
197205	. Wire, #18 Blue (16 Strand)	A.R.
1010770	. Step-Down Transformer (575V Only) ...	1
014504	. 90° Sealtite Connector (575V Only)	1
014411	. Flanged Washer (575V Only)	1
005593	. Plastic Insulated Bushing (575V Only) ..	1
197156	. Sealtite Conduit 1/2 I.D. (575V Only) ...	A.R.

*NOTE: Before Serial #595-13126:

65	221247	. Communication Cable (#1)	1
74	1013039	. Enclosure Weldment	1



FLUSHING HOSE ASSEMBLY
(OPTIONAL - 400M, 400S; STANDARD - 400A)



COOLANT RESERVOIR ASSEMBLY

MODEL	FIRST MACH.	LAST MACH.
400A	595-10101	
400M	596-10101	
400S	597-09101	

FLOOD COOLANT ASSEMBLY

FLOOD COOLANT ASSEMBLY

INDEX NO.	PART NO.	DESCRIPTION	UNITS PER ASS'Y.
Ref.	1008849	Flood Coolant Assembly	
1	016001	. Barbed Insert	1
2	197144	. Plastic Tubing 1/4 I.D. (Clear)	A.R.
3	009955	. Tubing Clamp.....	A.R.
4	199974	. Screw, Button Hd. Soc.M5-0.8 x 10	A.R.
5	1007881	. Coolant Reservoir Assembly (See Detail)	1
6	103316	. Barbed Insert	1
7	204233	. Pipe Coupling (Brass)	1
8	110263	. Coolant Pump (110/120V, 50/60 Hz)	1
	136530	. Coolant Pump (220/240V, 50/60 Hz)	1
	172623	. Coolant Pump (CSA Approved)	1
9*	120857	. Service Tee (Brass)	1
10*	002004	. Barbed Insert	1
11*	017902	. Hose Clamp	1
12*	197094	. Neoprene Hose 11/16 O.D. (Black)	A.R.
13*	176816	. Barbed Insert (Plastic)	1
14*	176827	. Hose Clamp	1
15*	176420	. Hoze Nozzle	1
16	5-027506	. 90° Street Elbow (Brass)	1
17	120241	. Valve	1

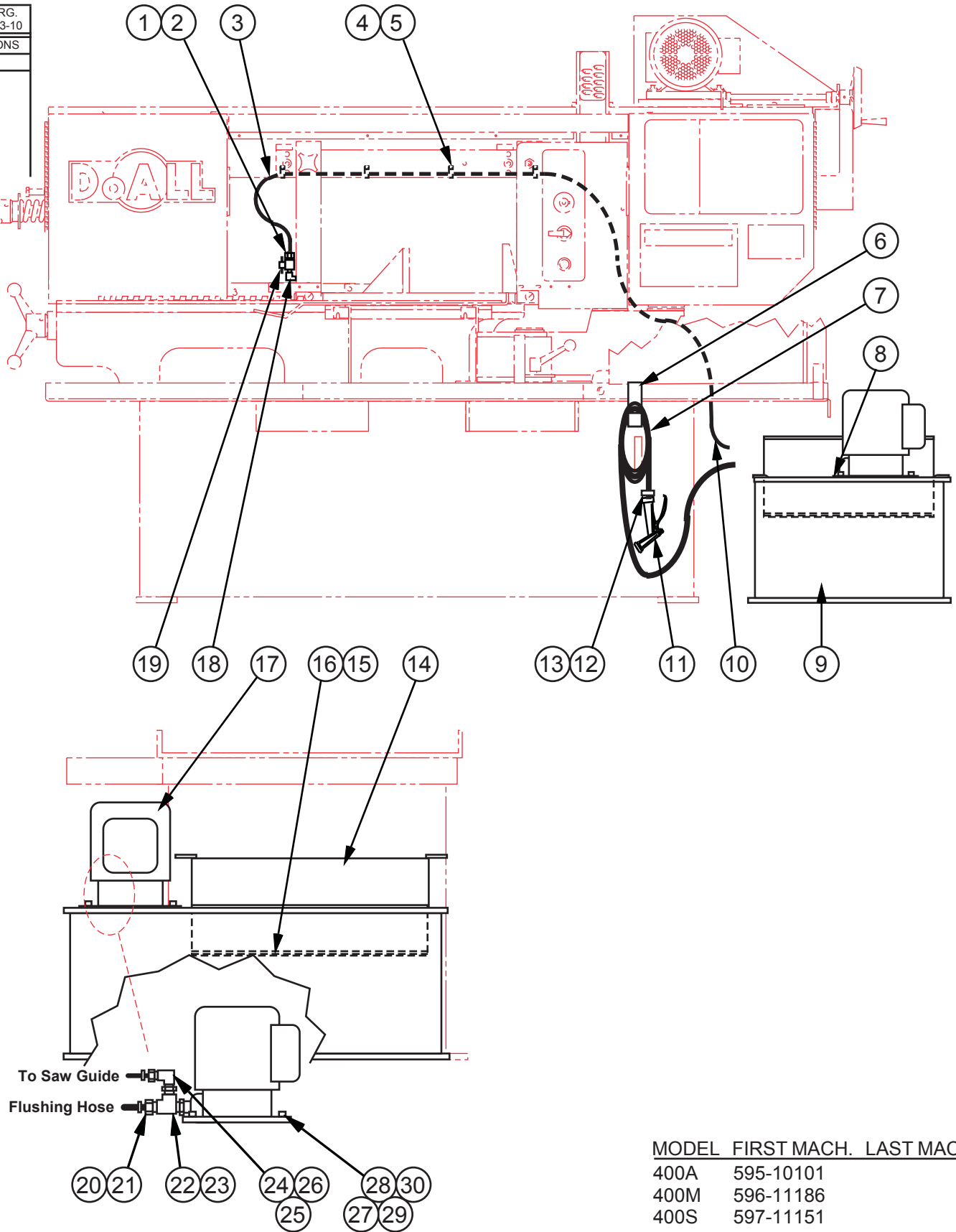
*NOTE: Part of Flushing Hose Assembly - #178639. (Optional 400M, 400S; Standard 400A)

Ref.	1007881	. Coolant Reservoir Assembly	
1	1007898	. . Chip Container	1
2	1007883	. . Screen/Filter Cover	1
3	1007882	. . Screen/Filter	1
4	1008539	. . Coolant Reservoir	1

Following Not Shown:

214769	. Cutting Fluid (Power-Cut Concetrate; 1 Quart)	1
--------	---	---

NEW DRG.
S.C.L. 6-3-10
REVISIONS



To Saw Guide
Flushing Hose

MODEL	FIRST MACH.	LAST MACH.
400A	595-10101	
400M	596-11186	
400S	597-11151	

FLOOD COOLANT ASSEMBLY (EUROPA ONLY)

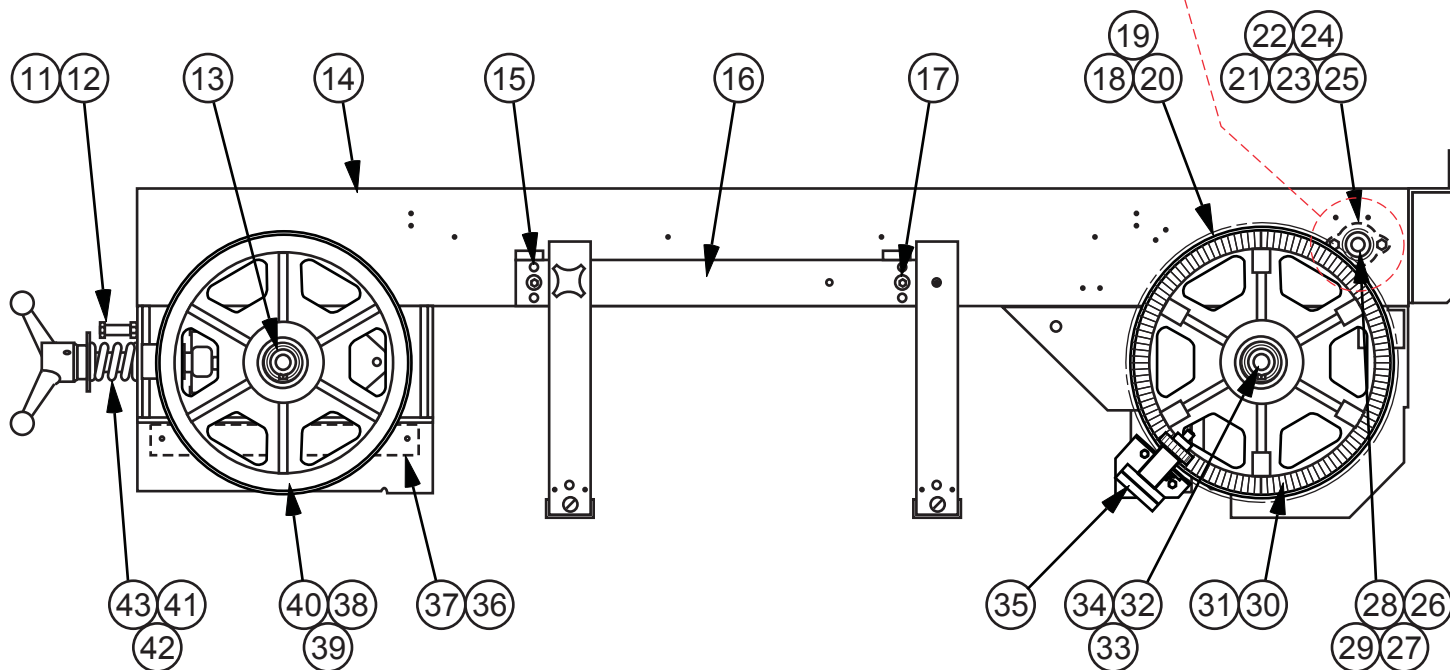
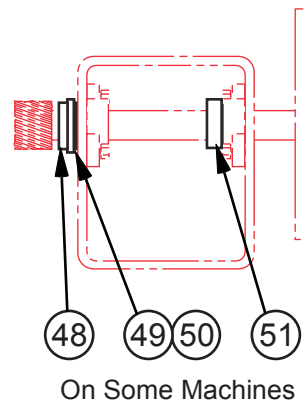
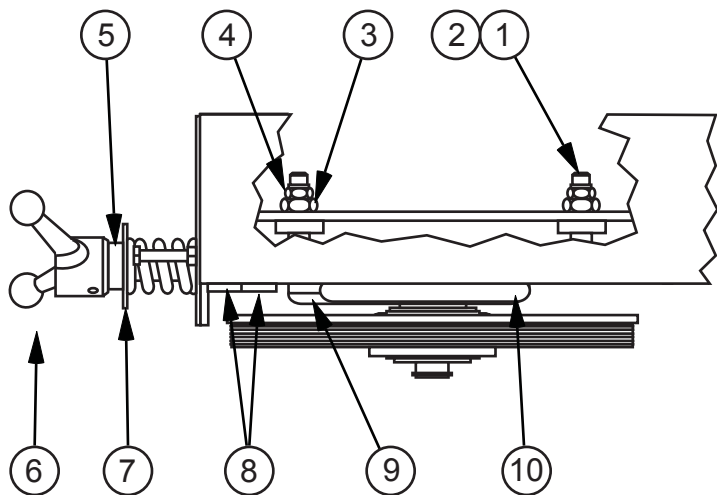
**FLOOD COOLANT ASSEMBLY
(Europa Only)**

INDEX NO.	PART NO.	DESCRIPTION	UNITS PER ASS'Y.
Ref.	1012934	Flood Coolant Assembly (Europa Only)	
1	016001	. Barbed Insert	1
2	1008570	. Hose Clamp	1
3	197095	. Plastic Tubing 1/4 I.D. (Clear-Reinforced)	A.R.
4	009955	. Tubing Clamp.....	A.R.
5	199974	. Screw, Button Hd. Soc.M5-0.8 x 10	A.R.
6*	316116	. Hook	1
7*	197094	. Neoprene Hose 11/16 O.D. (Black)	A.R.
8	1012942	. Pump Mounting Plate	1
9	1007897	. Coolant Reservoir	1
10	197095	. Plastic Tubing 1/4 I.D. (Clear-Reinforced)	A.R.
11*	176420	. Hoze Nozzle	1
12*	176816	. Barbed Insert (Plastic)	1
13*	176827	. Hose Clamp	1
14	1011897	. Chip Container Weldment	1
15	1011859	. Screen/Filter Cover	1
16	1011858	. Screen/Filter	1
17	224711	. Coolant Pump (50 Hz)	1
18	5-027506	. 90° Street Elbow (Brass)	1
19	120241	. Shut-Off Valve	1
20	009667	. Barbed Insert	1
21	176827	. Hose Clamp	1
22	133540	. Service Tee	1
23	017535	. Reducer Bushing	1
24	017537	. Reducer Bushing	1
25	133439	. 90° Barbed Insert	1
26	1008570	. Hose Clamp	1
27	199993	. Screw, Soc. Hd. Cap M6-1.0 x 20	4
28	199347	. Washer, Lock M6	4
29	199965	. Washer, Flat M6	4
30	199188	. Nut, Hex. M6-1.0	4

*NOTE: Part of Optional Flushing Hose Assembly - #178639.

Following Not Shown:			
214769		. Cutting Fluid (Power-Cut Concentrate; 1 Quart)	2

NEW DRG.
S.C.L. 2-22-10
REVISIONS
S.C.L. 3-10-14



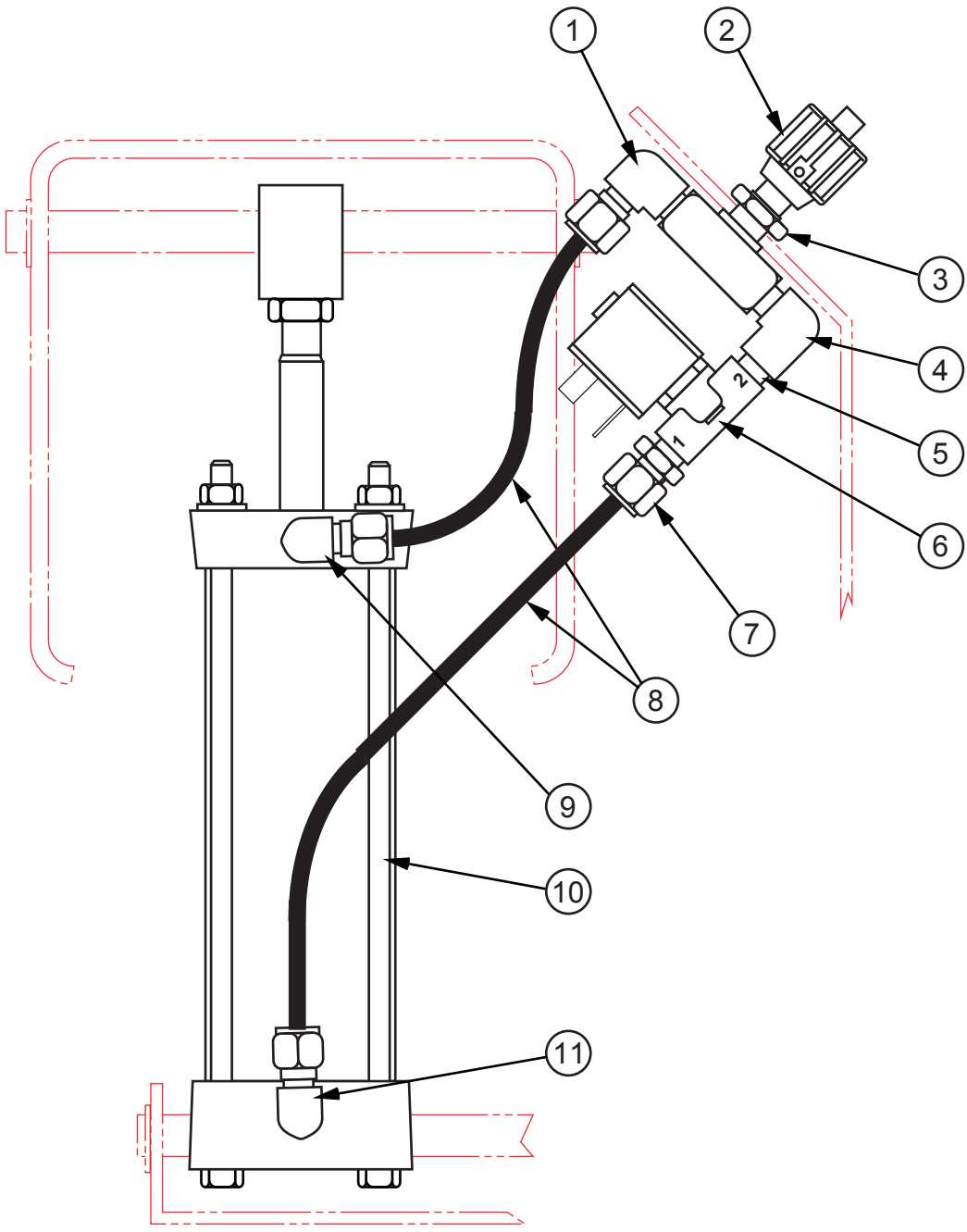
MODEL	FIRST MACH.	LAST MACH.
400A	595-10101	
400M	596-10101	
400S	597-09101	

HEAD ASSEMBLY

HEAD ASSEMBLY

INDEX NO.	PART NO.	DESCRIPTION	UNITS PER ASS'Y.
Ref.		Head Assembly	
1	199980	. Screw, Soc. Hd. Cap M10-1.5 x 80	3
2	199346	. Washer, Lock M10	3
3	199142	. Nut, Hex. Jam 3/4-16NF	3
4	005956	. Adjusting Screw 3/4-16NF x 2-5/16 (.42 Dia.)	3
5	108749	. Thrust Ball Bearing	1
6	1008019	. Band Tension Handle Assembly	1
	1008020	. . Handle	1
	1009977	. . Bandwheel Screw	1
	004277	. . Spring Pin	1
7	149978	. Washer	1
8	157703	. Rubber Bushing	2
9	513889	. Head Slide and Shaft Sub-Assembly	1
	316591	. . Idler Shaft	1
	199227	. . Screw, Soc. Set M10-1.5 x 16 (Cone Point)	1
	202383	. . Loctite Adhesive (#242)	A.R.
10	517542	. Head Casting	1
11	199238	. Screw, Hex. Hd. Cap M10-1.5 x 60	1
12	199939	. Nut, Hex. M10-1.5	1
13	204455	. Retaining Ring	1
14	1009195	. Head Weldment	1
15	199559	. Screw, Soc. Set M12-1.75 x 25 (Flat Point)	4
16	225521	. Saw Guide Arm Assembly (See Detail)	1
17	199918	. Screw, Soc. Hd. Cap M12-1.75 x 45	2
18	317088	. Bandwheel Assembly (Driver)	1
	505879	. . Bandwheel (Driver)	1
	137905	. . Ball Bearing	2
19	122652	. Shim (.010)	A.R.
20	122653	. Shim (.020)	A.R.
21	1008462	. Flange Bearing	2
22	198167	. Screw, Hex. Hd. Cap M8-1.25 x 40	2
23	199968	. Washer, Lock M8	2
24	199941	. Nut, Hex. M8 x 1.25	2
25	199967	. Washer, Flat M8	2
26	132475	. Pinion Gear	1
27	35-008688	. Retaining Ring	1
28	1008794	. Pinion Shaft	1
29	014214	. Key	1
30	1009188	. Door Support	1
31	199969	. Screw, Button Hd. Soc. M6-1.0 x 10	5
32	320598	. Drive Shaft	1
33	199251	. Screw, Soc. Set M10-1.5 x 12 (Cone Point)	1
34	204455	. Retaining Ring	1
35	417836	. Band Brush Assembly (Powered) (See Detail)	1
36	206885	. Bar	1
37	199041	. Screw, Soc. Hd. Cap M5-0.8 x 20	2
38	176858	. Bandwheel Assembly (Idler)	1
	503489	. . Bandwheel (Idler)	1
	137905	. . Ball Bearing	2
39	122652	. Shim (.010)	A.R.
40	122653	. Shim (.020)	A.R.
41	108750	. Compression Spring	1
42	108748	. Tube	1
43	199306	. Washer, Flat 3/4 Wrought	1

NEW DRG. S.C.L. 7-22-11
REVISIONS



MODEL FIRST MACH. LAST MACH.
400A 595-10101

HEAD FEED CONTROL ASSEMBLY

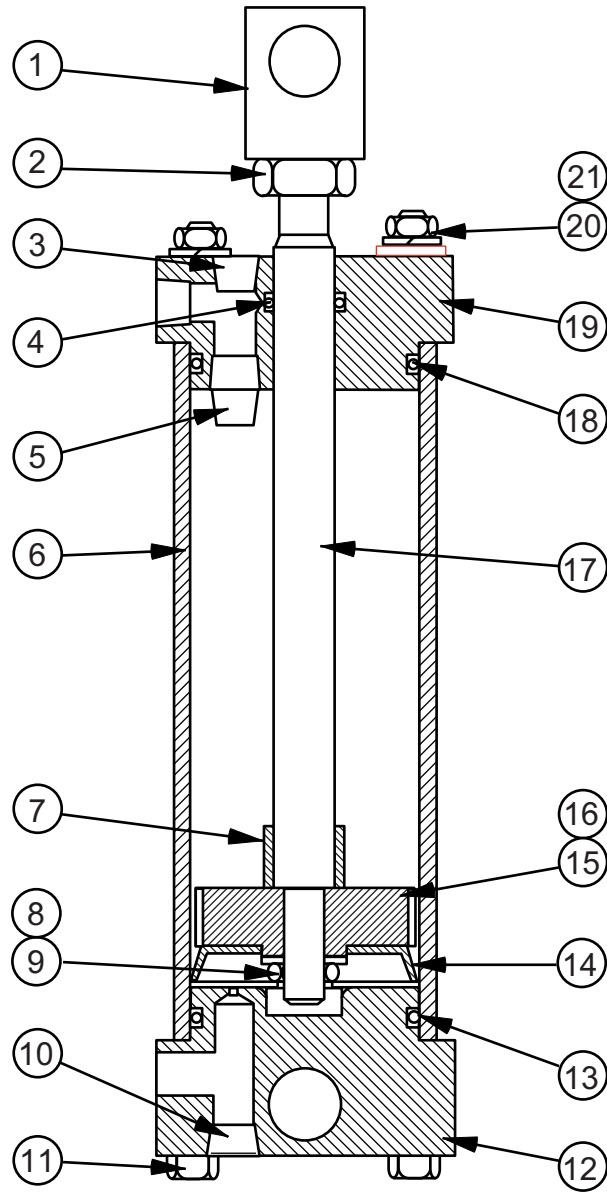
HEAD FEED CONTROL ASSEMBLY

INDEX NO.	PART NO.	DESCRIPTION	UNITS PER ASSY.
Ref.	1013500	Head Feed Control Assembly	
1	6-023510	. 90° Male Elbow (Brass)	1
2	201987	. Needle Valve	1
3	199134	. Nut, Hex. Jam 1/2-20NF	1
4	5-027506	. 90° Street Elbow	1
5	12-014528	. Close Nipple	1
6	224061	. Solenoid Valve (2-Way)	1
7	6-023519	. Male Connector (Brass)	1
8	197264	. Nylon Tubing 1/4 O.D.	A.R.
9	6-023510	. 90° Male Elbow (Brass)	1
10	416087	. Head Feed Cylinder Assembly (See Detail)	1
11	6-023510	. 90° Male Elbow (Brass)	1

Following Not Shown:

201030	. Transmission Fluid (ATF)	A.R.
--------	----------------------------------	------

NEW DRG. S.C.L. 3-22-10
REVISIONS



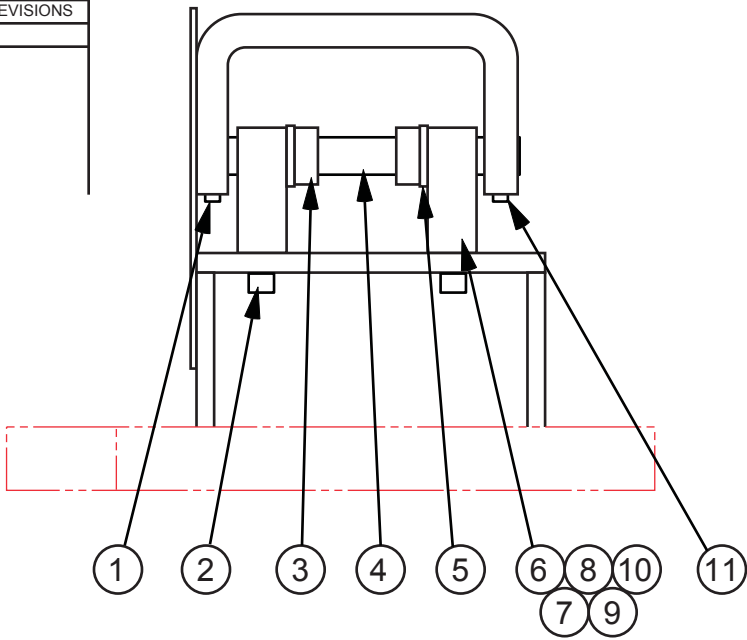
MODEL	FIRST MACH.	LAST MACH.
400A	595-10101	
400M	596-10101	
400S	597-09101	

HEAD FEED CYLINDER ASSEMBLY

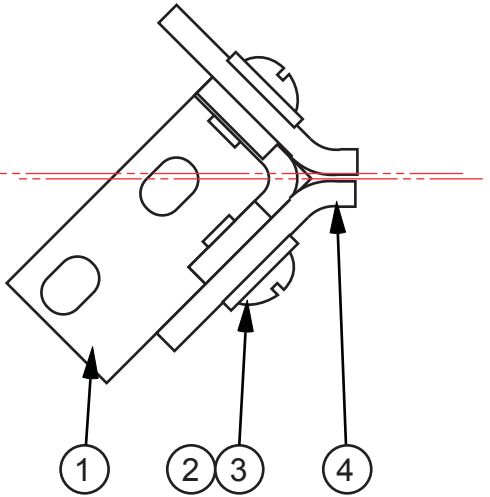
HEAD FEED CYLINDER ASSEMBLY

INDEX NO.	PART NO.	DESCRIPTION	UNITS PER ASS'Y.
Ref.	416087	Head Feed Cylinder Assembly	
1	175273	. Lug	1
2	199130	. Nut, Hex. Jam 7/16-14NC	1
3	123333	. Pipe Plug	1
4	203799	. Quad Ring	1
5	14-014528	. Close Nipple	1
6	316346	. Cylinder	1
7	175586	. Spacer	1
8	013245	. Locknut 3/8-16NC	1
9	199302	. Washer, Flat 3/8 Wrought	1
10	261233	. Pipe Plug	1
11	175476	. Tie Rod	4
12	316349	. End Cap	1
13	001508	. O-Ring	1
14	204981	. Piston Seal Cup	1
15	319876	. Piston	1
16	202383	. Adhesive Sealant (Loctite #242-31 Threadlok)	A.R.
17	319533	. Rod	1
18	001508	. O-Ring	1
19	316348	. End Cap	1
20	199176	. Nut, Hex. 1/4-20NC	4
21	199321	. Washer, Lock 1/4 Std.	4

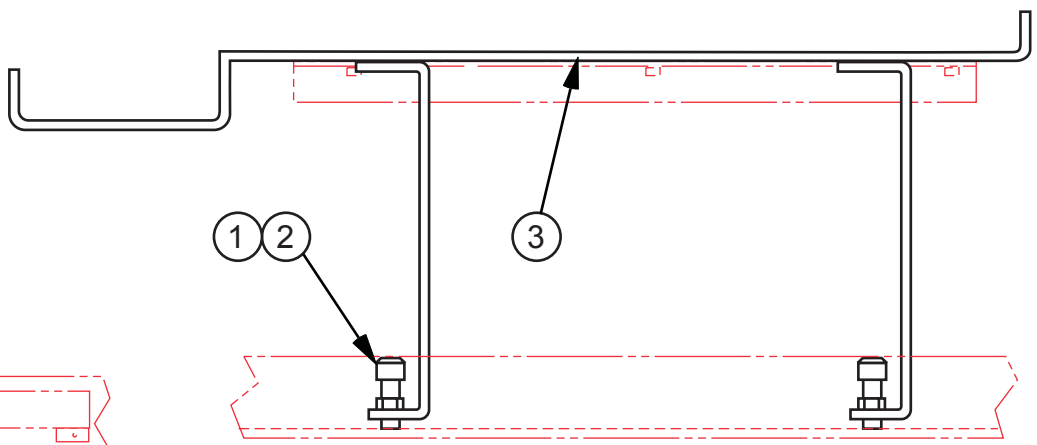
NEW DRG.
S.C.L. 2-22-10
REVISIONS



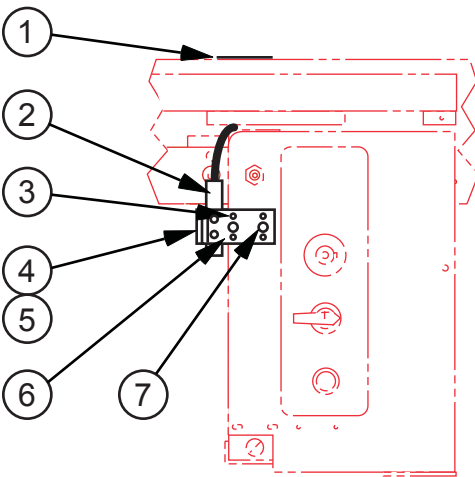
HEAD PIVOT DETAIL



BAND WIPER ASSEMBLY



DISCHARGE TRAY ASSEMBLY
(LARGE)
(OPTIONAL) (400S, 400M Only)



LASER LINE GENERATOR ASSEMBLY
(OPTIONAL)

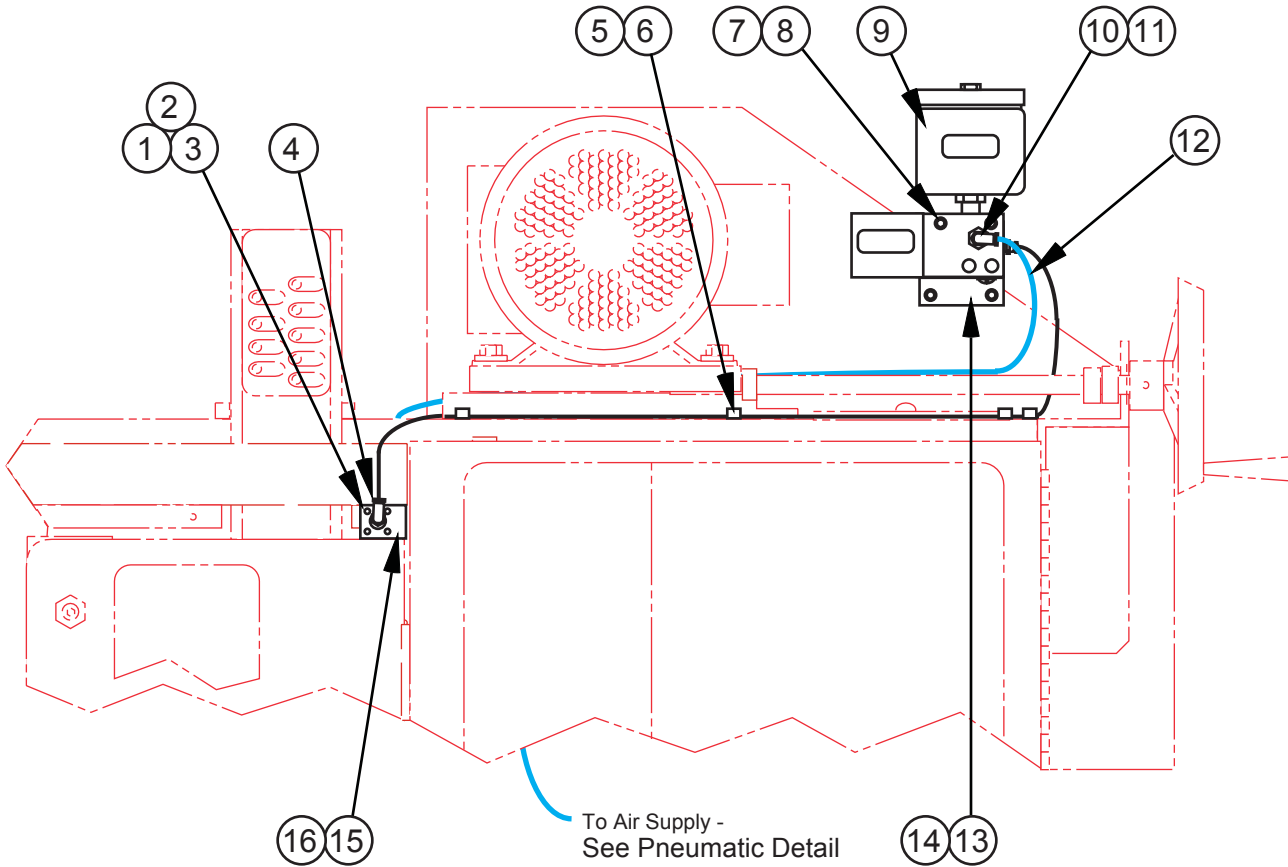
MODEL	FIRST MACH.	LAST MACH.
400A	595-10101	
400M	596-10101	
400S	597-09101	

MISCELLANEOUS DETAILS

MISCELLANEOUS DETAILS

INDEX NO.	PART NO.	DESCRIPTION	UNITS PER ASS'Y.
Ref.		Final Assembly (Head Pivot Detail)	
1	199251	. Screw, Soc. Set M10-1.5 x 12 (Cone Point)	1
2	199680	. Screw, Soc. Hd. Cap M10-1.5 x 30	4
3	201915	. Shaft Collar	2
4	176717	. Pivot Shaft	1
5	126535	. Thrust Bearing (Bronze)	2
6	326124	. Bearing Block	2
	201914	. Sleeve Bearing (Press Fit)	2
7	176476	. Shim (.003)	A.R.
8	176477	. Shim (.005)	A.R.
9	176478	. Shim (.007)	A.R.
10	221783	. Shim (.0478)	A.R.
11	199045	. Screw, Soc. Set M10-1.5 x 16	1
Ref.	207716	Band Wiper Assembly	
1	320621	. Bracket	1
2	199408	. Screw, Pan Hd. Slotted M4-0.7 x 10	4
3	109942	. Support	2
4	109941	. Wiper	2
Ref.	1009399	Discharge Tray Assembly (Large) (Optional) (400S, 400M Only)	
1	199680	. Screw, Soc. Hd. Cap M10-1.5 x 30	2
2	199976	. Nut, Hex. Jam M10-1.5	2
3	1008600	. Discharge Tray Weldment	1
Ref.	1010980M	Laser Line Generator Assembly (Optional)	
1	212884	. Label (Laser - Warning)	1
2	1010956	. Laser Line Generator	1
3	199914	. Screw, Soc. Set M5-0.8 x 10	4
4	1010818	. Laser Clamp Block	1
5	199041	. Screw, Soc. Hd. Cap M5-0.8 x 20	2
6	1010817	. Laser Mounting Bracket	1
7	199450	. Screw, Soc. Hd. Cap M5-0.8 x 12	2

NEW DRG. S.C.L. 2-22-10
REVISIONS

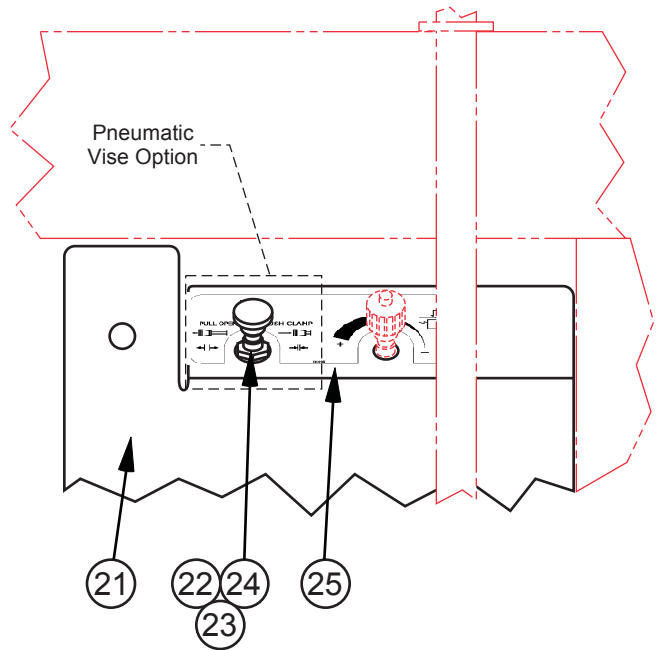
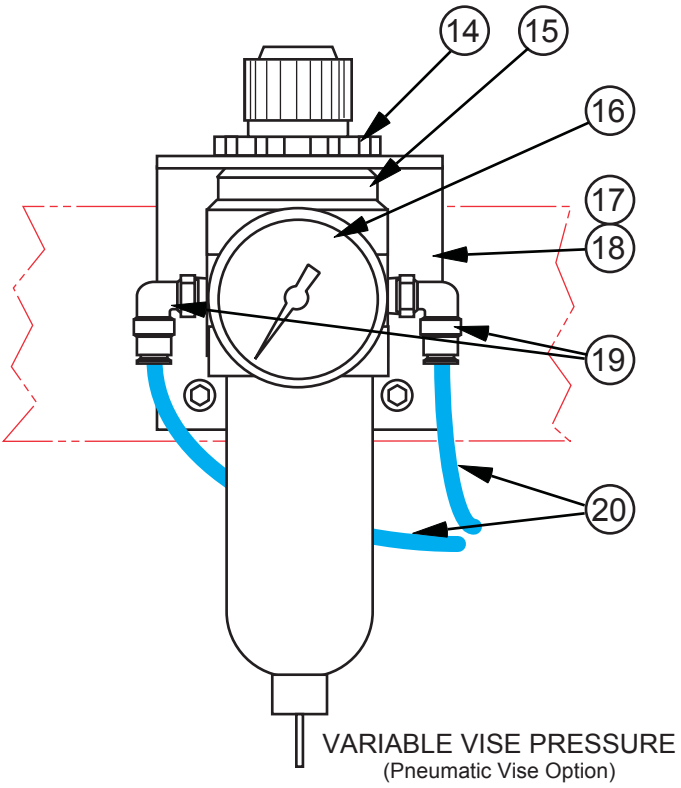
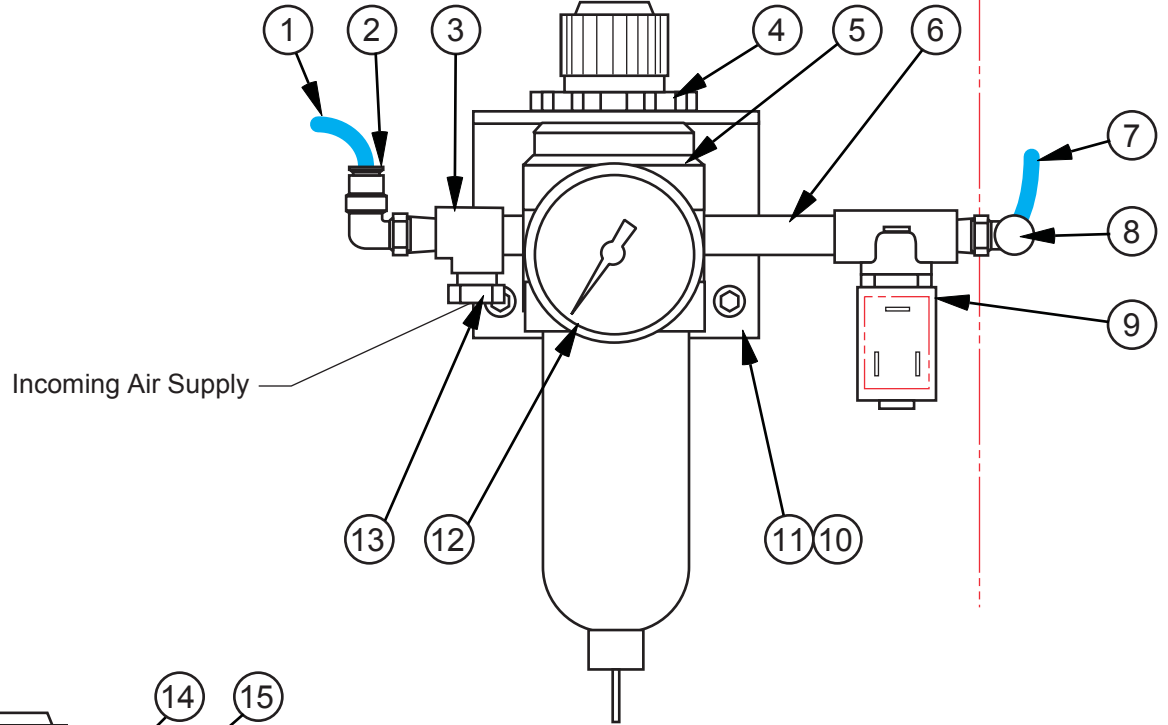


MODEL	FIRST MACH.	LAST MACH.
400A	595-10101	
400M	596-10101	
400S	597-09101	

MIST LUBRICATOR ASSEMBLY

MIST LUBRICATOR ASSEMBLY

INDEX NO.	PART NO.	DESCRIPTION	UNITS PER ASS'Y.
Ref.	214935	Mist Lubricator Assembly	
1	199974	. Screw, Button Hd. Soc. M5-0.8 x 10	4
2	199348	. Washer, Lock M5	4
3	199202	. Nut, Hex. M5-0.8	4
4	200135	. 90° Swivel Male Elbow	1
5	209458	. Clip Half	4
6	199974	. Screw, Button Hd. Soc. M5-0.8 x 10	4
7	199824	. Screw, Soc. Hd. Cap M6-1.0 x 55	2
8	199188	. Nut, Hex. M6-1.0	2
9	208833	. Mist Lubricator (Includes Nozzle, Solenoid Valve, Tubing)	1
10	260426	. Reducer Bushing	1
11	200135	. 90° Swivel Male Elbow	1
12	197438	. Polyethelene Tubing 1/4 O.D. (Blue)	A.R.
13	214906	. Bracket	1
14	199246	. Screw, Button Hd. Soc. M6-1.0 x 12	2
15	1008707	. Nozzle Bracket	1
16	199974	. Screw, Button Hd. Soc. M5-0.8 x 10	2
Following Not Shown:			
	214124	. Heavy Duty Cutting Fluid (AL-2000)	A.R.



Some of these parts may not apply to your machine.

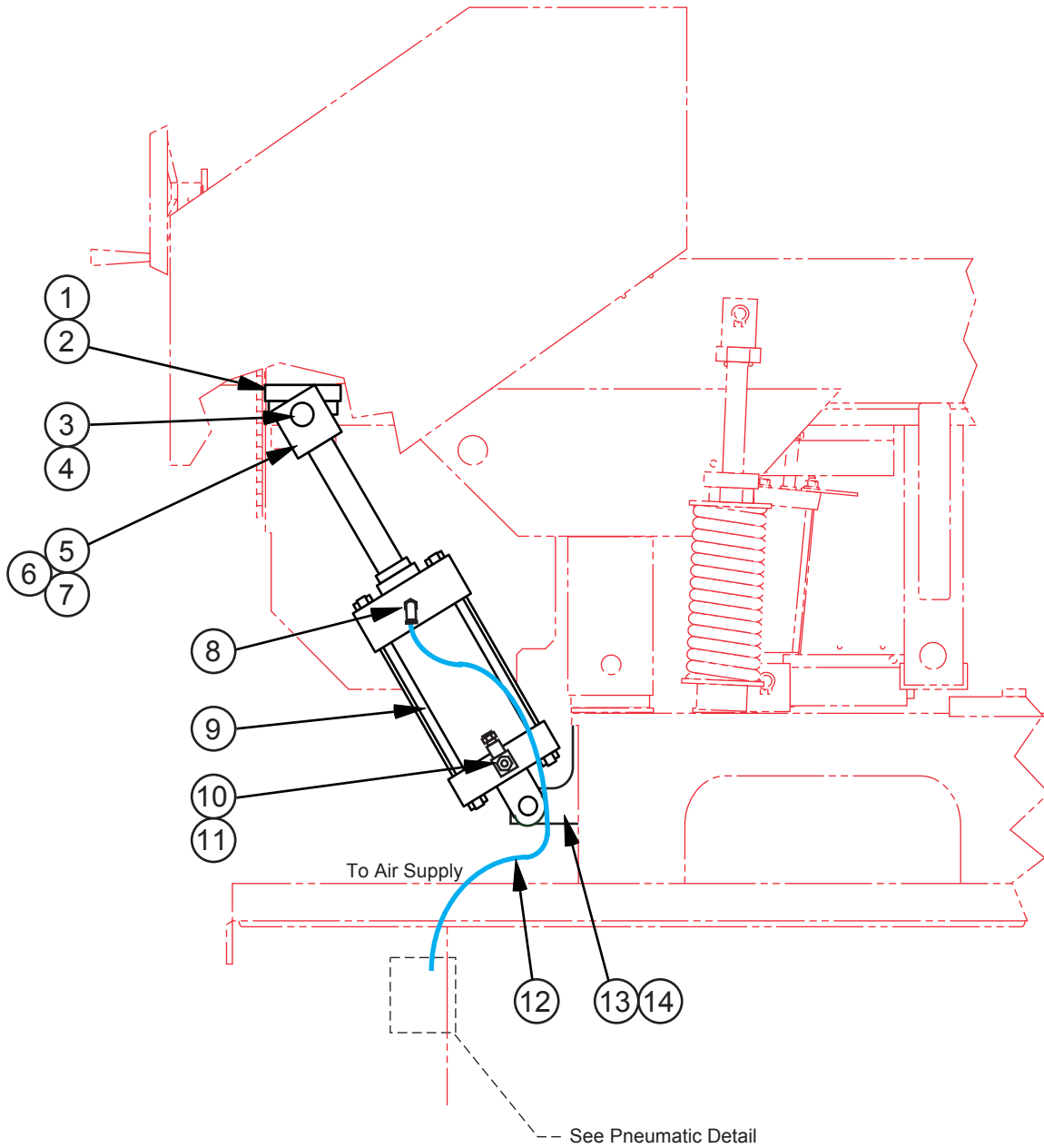
MODEL FIRST MACH. LAST MACH.
400A 595-10101

PNEUMATIC DETAIL

PNEUMATIC DETAIL

INDEX NO. Ref.	PART NO.	DESCRIPTION	UNITS PER ASS'Y.
		Pneumatic Detail	
1	197438	. Polyethelene Tubing 1/4 O.D. (Blue)	A.R.
2	200135	. 90° Swivel Male Elbow	1
3	112043	. Street Tee	1
4	206113	. Mounting Nut	1
5	206115	. Air Regulator/Filter	1
6	203144	. Pipe Nipple (Brass)	1
7	197438	. Polyethelene Tubing 1/4 O.D. (Blue)	A.R.
8	200135	. 90° Swivel Male Elbow	1
9	176829	. Solenoid Valve (3-Way)	1
10	418046	. Regulator Mounting Bracket	1
11	199246	. Screw, Button Hd. Soc. M6-1.0 x 12	2
12	200137	. Gauge	1
13	260426	. Reducer Bushing	1
14	206113	. Mounting Nut	1
15	206115	. Air Regulator/Filter	1
16	200137	. Gauge	1
17	418046	. Regulator Mounting Bracket	1
18	199246	. Screw, Button Hd. Soc. M6-1.0 x 12	2
19	200135	. 90° Swivel Male Elbow	2
20	197438	. Polyethelene Tubing 1/4 O.D. (Blue)	A.R.
21	1011498	. Control Panel	1
22	206110	. Pneumatic Valve (4-Way with Pushbutton)	1
23	176811	. Vent Filter Breather	2
24	200135	. 90° Swivel Male Elbow	3
25	1011181	. Escutcheon (Hydraulic Panel)	1
Following Not Shown:			
	176879	. Label (Air Supply Limits)	1

NEW DRG. S.C.L. 7-22-11
REVISIONS



Electrical Enclosure
Removed To Show Detail.

MODEL FIRST MACH. LAST MACH.
400A 595-10101

PNEUMATIC HEAD LIFT ASSEMBLY

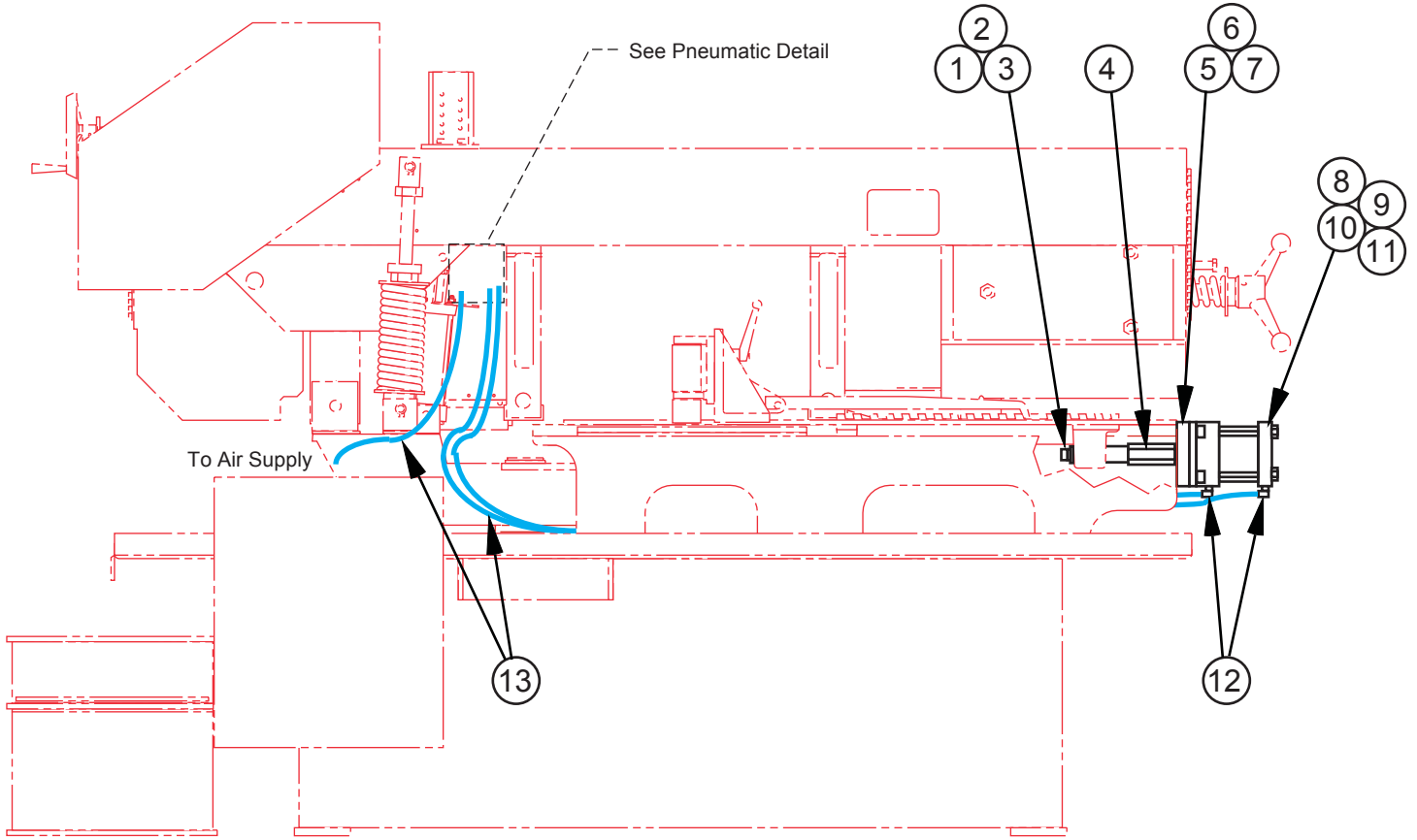
PS - 7 - 393

PRINTED IN U.S.A.

PNEUMATIC HEAD LIFT ASSEMBLY

INDEX NO.	PART NO.	DESCRIPTION	UNITS PER ASS'Y.
Ref.	224965	Pneumatic Head Lift Assembly	
1	179584	. Mounting Block Weldment	1
2	199896	. Screw, Soc. Hd. Cap M10-1.5 x 25	2
3	179586	. Pin	1
4	35-007558	. Retaining Ring	2
5	316604	. Pivot Bracket	1
6	198186	. Screw, Hex. Hd. Cap 3/4-16NF x 1-1/4	1
7	202383	. Adhesive (Loctite #242-31 Threadlock)	A.R.
8	200135	. 90° Swivel Male Elbow	1
9	176228	. Pneumatic Head Lift Cylinder	1
10	203809	. Right Angle Flow Control Valve	1
11	176811	. Vent Filter Breather	1
12	197438	. Polyethylene Tubing 1/4 O.D. (Blue)	A.R.
13	1013882	. Cylinder Mount Bracket	1
14	199918	. Screw, Soc. Hd. Cap M12-1.75 x 45	2
Following Not Shown:			
	176880	. Tag (Attention - Air Pressure)	1

NEW DRG. S.C.L. 7-22-11
REVISIONS



Drive Roller Vise Jaw
removed to show detail.

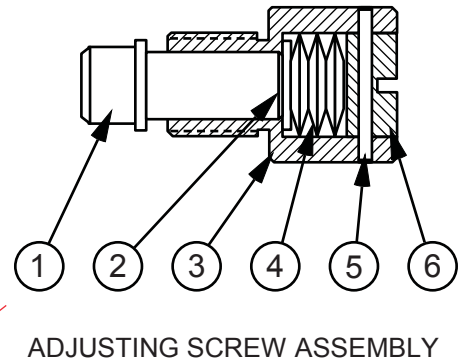
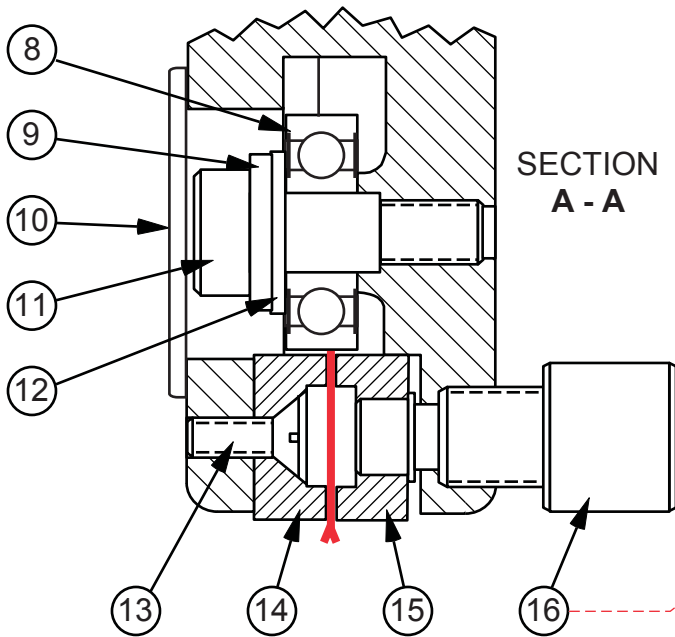
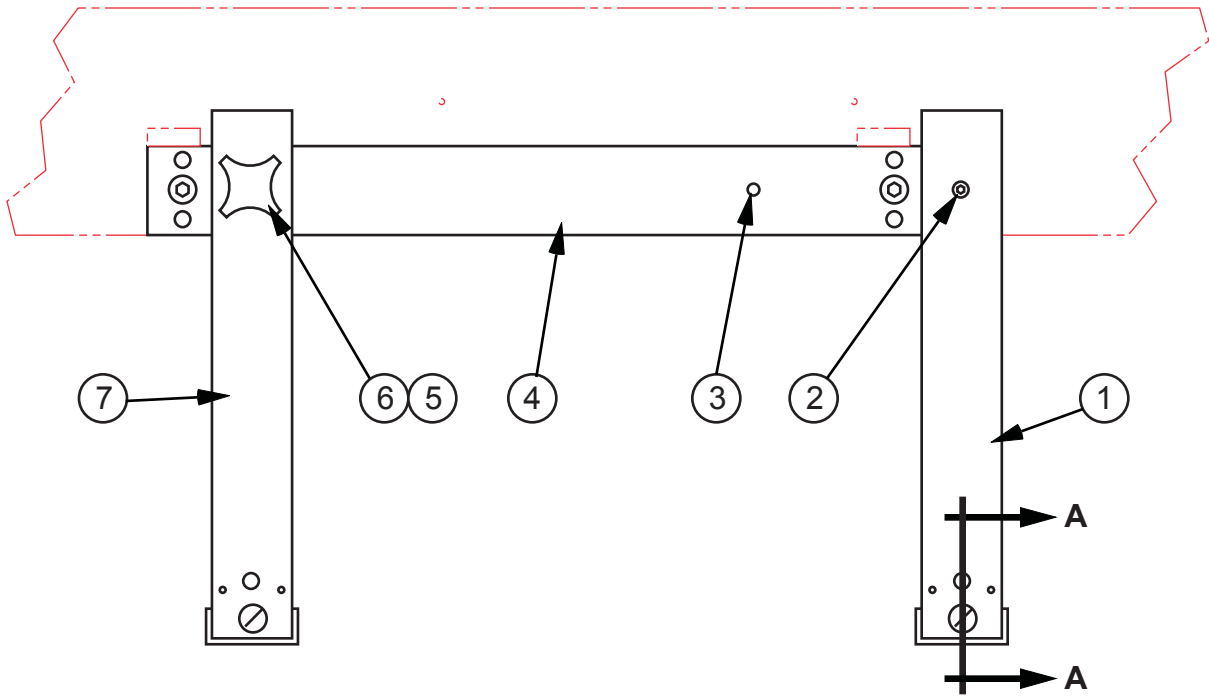
MODEL FIRST MACH. LAST MACH.
400A 595-10101

PNEUMATIC VISE ASSEMBLY

PNEUMATIC VISE ASSEMBLY

INDEX NO.	PART NO.	DESCRIPTION	UNITS PER ASS'Y.
Ref.	1009477	Pneumatic Vise Assembly	
1	199051	. Screw, Soc. Hd. Cap M6-1.0 x 12	1
2	199254	. Washer, Lock M6 Hi-Collar	1
3	109993	. Washer	1
4	1008204	. Cylinder Adaptor	1
5	1008209	. Spacer	2
6	199911	. Screw, Soc. Hd. Cap M10-1.5 x 40	4
7	199346	. Washer, Lock M10	4
8	318130	. Pneumatic Vise Clamp Cylinder	1
9	199911	. Screw, Soc. Hd. Cap M10-1.5 x 40	4
10	199346	. Washer, Lock M10	4
11	198976	. Washer, Flat M10	4
12	200135	. 90° Swivel Male Connector	2
13	197438	. Polyethylene Tubing 1/4 O.D. (Blue)	A.R.

NEW DRG.
S.C.L. 3-22-10
REVISIONS
S.C.L. 11-11-11



SAW GUIDE DETAIL - BOTH GUIDES

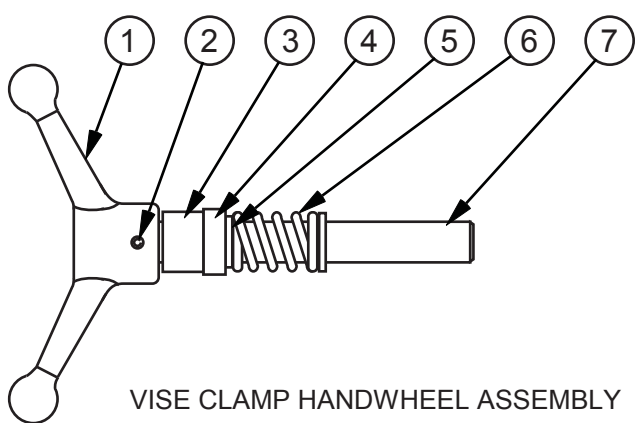
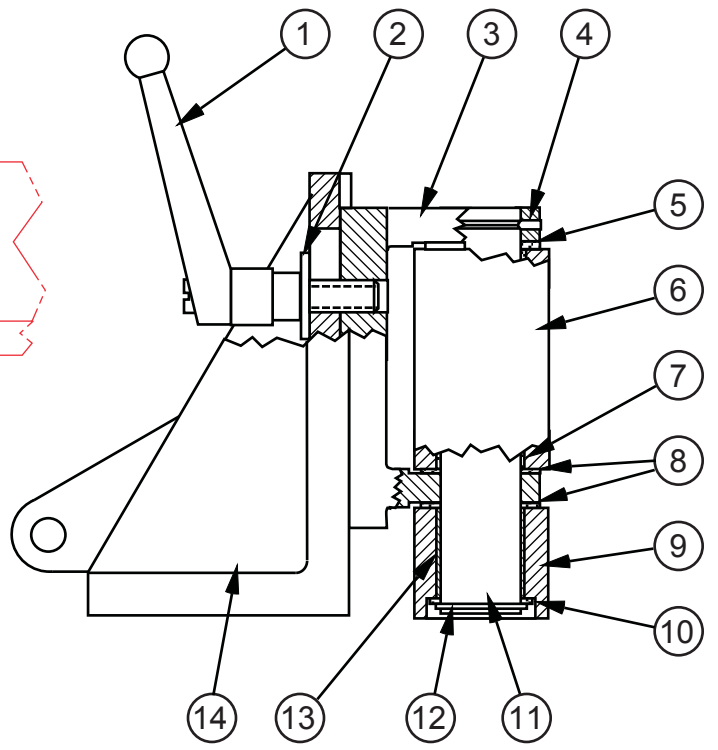
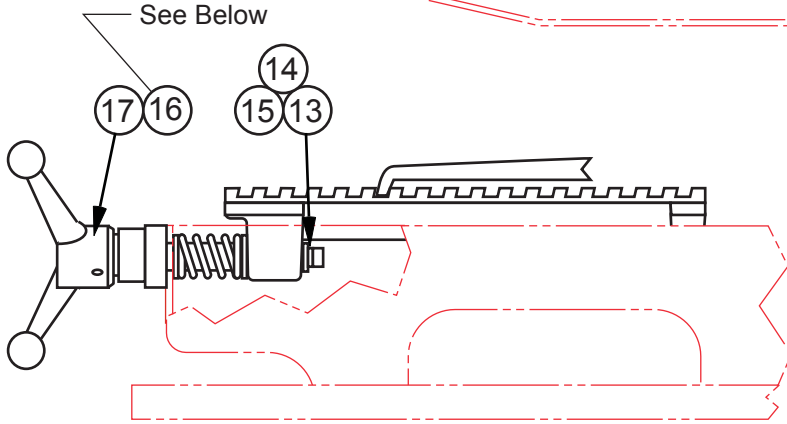
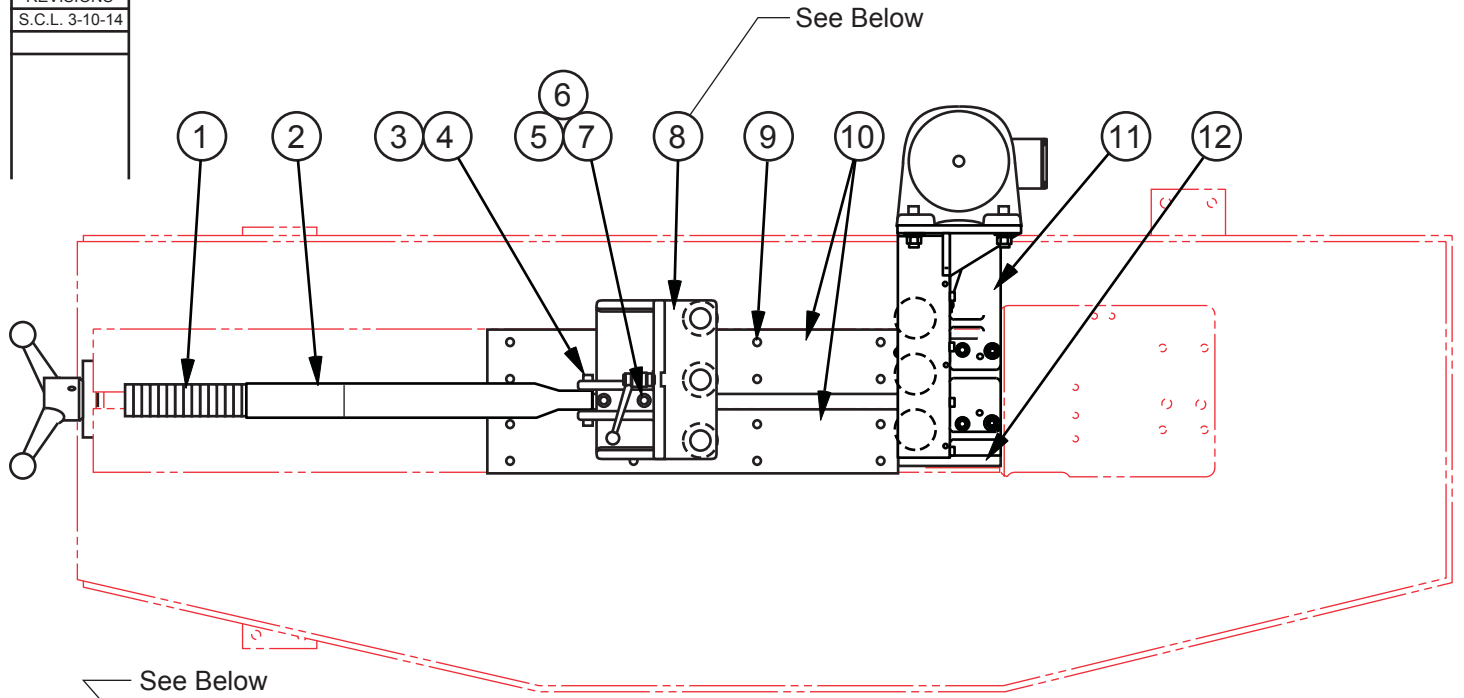
MODEL	FIRST MACH.	LAST MACH.
400A	595-10101	
400M	596-10101	
400S	597-09101	

SAW GUIDE ARM ASSEMBLY

SAW GUIDE ARM ASSEMBLY

INDEX NO.	PART NO.	DESCRIPTION	UNITS PER ASS'Y.
Ref.	225521	Saw Guide Arm Assembly	
1	517255	. Saw Guide Arm	1
2	199237	. Screw, Soc. Set M12-1.75 x 25	1
3	004269	. Spring Pin	1
4	320590	. Mounting Bar	1
5	1008755	. Saw Guide Arm Lock Handwheel	1
6	175449	. Brass Plug	1
7	517255	. Saw Guide Arm	1
8	011529	. Ball Bearing	2
9	199346	. Washer, Lock M10	2
10	35-004528	. Plug Button	2
11	198167	. Screw, Soc. Hd. Shoulder M8-1.25 x 16 (10 mm Dia.)	2
12	198976	. Washer, Flat M10	2
13	198749	. Screw, Flat Hd. Mach. #10-24NC x 1/2	2
14	137158	. Insert Assembly (Fixed)	2
15	137155	. Insert Assembly (Adjustable)	2
16	124419	. Adjusting Screw Assembly (See Detail)	2
Ref.	124419	. Adjusting Screw Assembly	
1	124417	. . Plunger	1
2	199257	. . Washer, Flat #8 S.A.E. Std.	1
3	124418	. . Housing	1
4	104632	. . Belleville Washer	6
5	004217	. . Spring Pin	1
6	124033	. . Plug	1

NEW DRG.
S.C.L. 7-22-11
REVISIONS
S.C.L. 3-10-14



VICE CLAMP HANDWHEEL ASSEMBLY

MOVABLE ROLLER VISE JAW ASSEMBLY

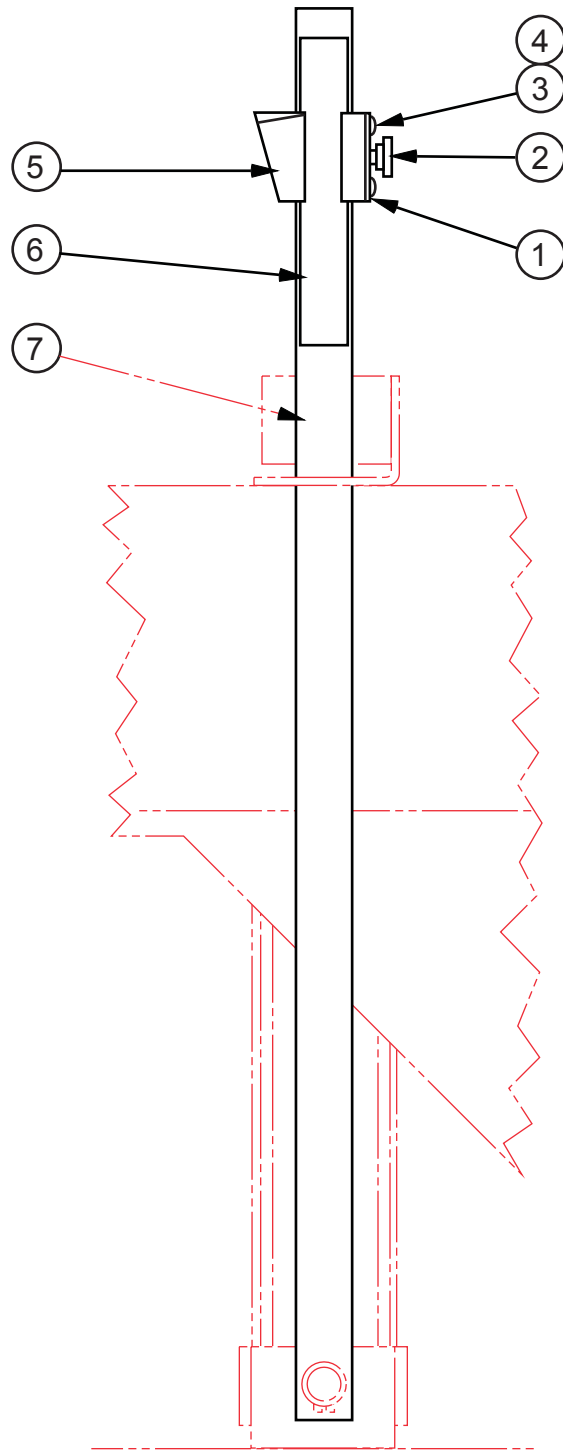
MODEL FIRST MACH. LAST MACH.
400A 595-10101

VICE DETAIL

WISE DETAIL

INDEX NO.	PART NO.	DESCRIPTION	UNITS PER ASS'Y.
Ref.		Vise Detail	
1	1008176	. Rack	1
2	314884	. Pawl	1
3	179579	. Pin	1
4	35-009613	. Retaining Ring	2
5	170740	. Nut Tee (.50 Tall; 3/8-16NC)	2
	1008869	. Nut Tee (.88 Tall; M10-1.5)	2
6	198281	. Screw, Soc. Hd. Cap 3/8-16NC x 1-1/2	2
	199919	. Screw, Soc. Hd. Cap M10-1.5 x 35	2
7	199325	. Washer, Lock 3/8 Std.	2
	199346	. Washer, Lock M10	2
8	517275	. Idler Roller Movable Vise Jaw Assembly (See Detail)	1
9	199246	. Screw, Button Hd. Soc. M6-1.0 x 12	16
10	1008175	. Wear Plate	2
11	517272	. Drive Roller Vise Jaw Assembly (Standard Rollers) (See Detail)	1
	517273	. Drive Roller Vise Jaw Assembly (Optional Knurled Rollers) (See Detail)	1
12	1009391	. Wear Plate	1
13	199051	. Screw, Soc. Hd. Cap M6-1.0 x 12	1
14	199254	. Washer, Lock M6 Hi-Collar	1
15	109993	. Washer	1
16	1008021	. Vise Clamp Handwheel Assembly (See Detail)	1
17	199680	. Screw, Soc. Hd. Cap M10-1.5 x 30	2
Ref.	1009476	. Vise Clamp Handwheel Assembly	
1	1008020	. . Handwheel	1
2	004277	. . Spring Pin	1
3	1008192	. . Bearing Block Assembly	1
	104284	. . . Flanged Bearing	1
4	108749	. . Thrust Ball Bearing	1
5	176759	. . Hardened Washer	2
6	176760	. . Compression Spring	1
7	1009484	. . Vise Lock Screw	1
Ref.	517275	. Movable Roller Vise Jaw Assembly	
1	207517	. . Handle	1
2	199280	. . Washer, Flat M12	1
3	517471	. . Roller Housing	1
4	199440	. . Screw, Soc. Set M6-1.0 x 8 (Cone Point)	3
5	174096	. . Bearing Thrust Washer	3
6	315789	. . Roller	3
7	174097	. . Sleeve Bearing	6
8	174096	. . Bearing Thrust Washer	6
9	173906	. . Roller	3
10	174086	. . Washer, Flat M30	3
11	315788	. . Shaft	3
12	35-007596	. . Retaining Ring	3
13	174097	. . Bearing	3
14	516047	. . Movable Roller Vise Jaw	1

NEW DRG. S.C.L. 7-22-11
REVISIONS



MODEL FIRST MACH. LAST MACH.
400A 595-10101

WORK HEIGHT ASSEMBLY

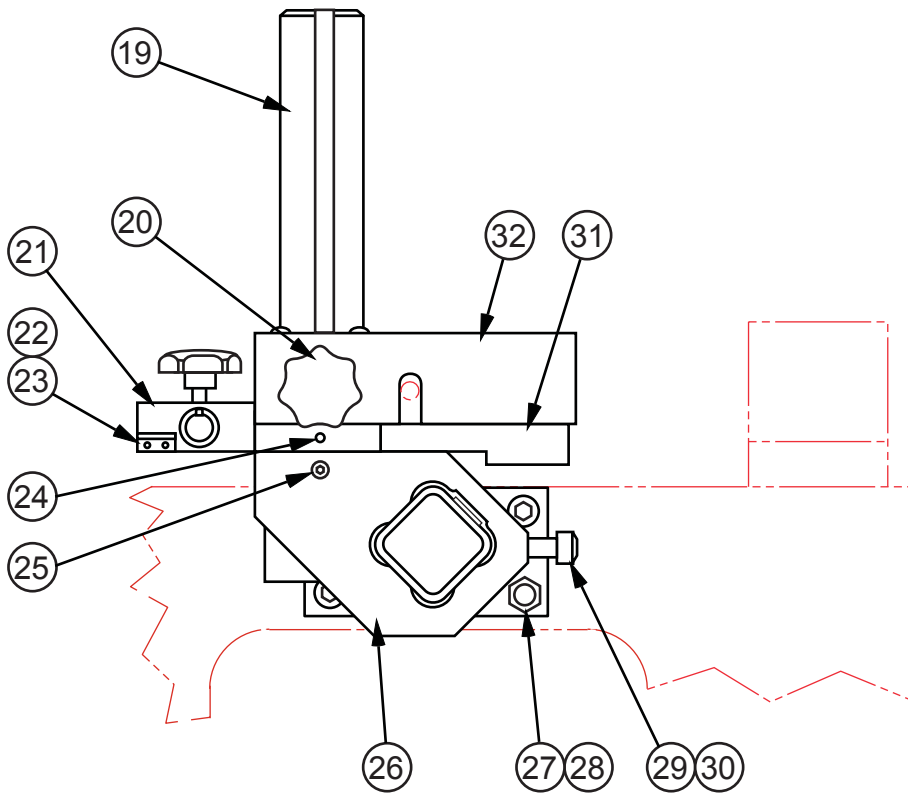
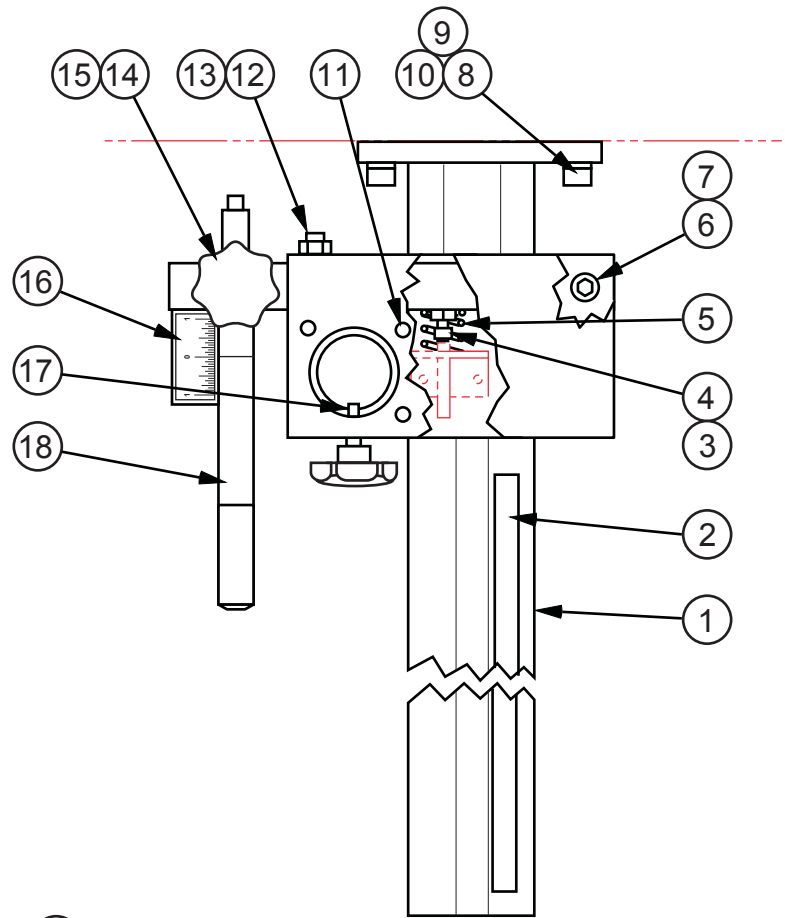
PS - 2 - 185

PRINTED IN U.S.A.

WORK HEIGHT ASSEMBLY

INDEX NO.	PART NO.	DESCRIPTION	UNITS PER ASS'Y.
Ref.	1012087	Work Height Assembly	
1	1013085	. Bracket	1
2	207520	. Thumb Screw	1
3	199974	. Screw, Button Hd. Soc. M5-0.8 x 10	2
4	199348	. Washer, Lock M5	2
5	207518	. Actuator	1
6	1013582	. Decal (Work Height Adjustment)	1
7	203766	. Wand	1

NEW DRG. S.C.L. 7-22-11
REVISIONS
S.C.L. 3-6-13



MODEL FIRST MACH. LAST MACH.
400A 595-10101

WORKSTOP ASSEMBLY

PS - 3 - 295

PRINTED IN U.S.A.

WORKSTOP ASSEMBLY

INDEX NO.	PART NO.	DESCRIPTION	UNITS PER ASS'Y.
Ref.	1011193	Workstop Assembly	
1*	1014455	. Tube Weldment	1
2	176463	. Rule (Inch/Metric)	1
3	199442	. Screw, Hex. Hd. Cap M5-0.8 x 20	1
4	199202	. Nut, Hex. M5-0.8	1
5	175367	. Compression Spring	1
6	205442	. Screw, Soc. Hd. Shoulder M10-1.5 x 30 (12 mm Dia.)	1
7	163080	. Retaining Compound (Loctite #271)	A.R.
8	199904	. Screw, Soc. Hd. Cap M12-1.75 x 40	3
9	205188	. Washer, Lock M12 Hi-Collar	3
10	199280	. Washer, Flat 1/2 M12	3
11	198979	. Screw, Button Hd. Soc. M5-0.8 x 6	3
12	199446	. Screw, Soc. Set M10-1.5 x 40	1
13	199976	. Nut, Hex. Jam M10-1.5	1
14	207521	. Knob w/Stud	1
15	204203	. Brass Plug	1
16	011443	. Scale (Fine Adjustment) (Inch)	1
	012242	. Scale (Fine Adjustment) (Metric)	1
17	014303	. Key	1
18	317185	. Adjusting Screw	1
19	317192	. Post	1
20	207521	. Knob w/Stud	1
21	517474	. Workstop Arm	1
22	204202	. Bracket	1
23	198722	. Screw, Button Hd. Soc. M4-0.7 x 6	2
24	004225	. Spring Pin	1
25	199445	. Screw, Soc. Set M12-1.75 x 16(Cone Point)	1
26	417930	. Workstop Block	1
27	199443	. Screw, Soc. Set M10-1.5 x 30	1
28	199976	. Nut, Hex. Jam M10-1.5	1
29	198990	. Screw, Soc. Hd. Cap M12-1.75 x 25	2
30	175449	. Brass Friction Plug	2
31	517473	. Post Collar	1
32	415259	. Cover	1

*NOTE: Before Serial # 595-13126:

1	1011192	. Tube Weldment	1
---	---------	-----------------------	---